

بِسْمِ اللّٰهِ الرَّحْمٰنِ الرَّحِیْمِ



ބިދު ފޮޅުވުމުގެ ފޮޅު

މާލެ ސަރަޙައްދުގެ ސަލާމަތުގެ ލައިޓްތަކުގެ ބެލުމުގެ ޖަހަން 1 ވަނަ އަހަރު ދަށުގައި ބިދު ފޮޅުވުމުގެ ފޮޅު
މިލިފައިވާ ސަރަޙައްދުގެ ސަލާމަތުގެ ލައިޓްތަކުގެ ބެލުމުގެ ޖަހަން ފޮޅުވުމުގެ ފޮޅު

Maintenance of Street lights for 1 year in
Kulhudhuffushi City

PC-266/2024/W-21 ބިދު ފޮޅުވުމުގެ ފޮޅު

(IUL)266-PR/266/2024/132 ބިދު ފޮޅުވުމުގެ ފޮޅު

2024 ވަނަ އަހަރުގެ 16 ބިދު ފޮޅުވުމުގެ ފޮޅު

1 ވަނަ އަހަރުގެ ބެލުމުގެ ފޮޅު

2024 ވަނަ އަހަރުގެ 16 ބިދު ފޮޅުވުމުގެ ފޮޅު

ސަވަނަ ބައި 1

ބަނޑު ބައި

ބަނޑު ބައި 1 ބަނޑު ބައި	ބަނޑު ބައި ބަނޑު ބައި
<p>ބަނޑު ބައި 1 ގެ ފަތުރުވެރިންނަށް ފޯމު ފޮނުވާ ފަންޖަރު (IUL)266-PR/266/2024/132</p> <p>ބަނޑު ބައި 16 ގެ ފަތުރުވެރިންނަށް ފޯމު ފޮނުވާ ފަންޖަރު (އެޕްރީލް 2024)</p>	1.1
<p>ބަނޑު ބައި 16 ގެ ފަތުރުވެރިންނަށް ފޯމު ފޮނުވާ ފަންޖަރު (އެޕްރީލް 2024) 25 ގެ ފަތުރުވެރިންނަށް ފޯމު ފޮނުވާ ފަންޖަރު (އެޕްރީލް 2024)</p> <p>10:30 ގައި</p> <p>ފޯމު ފޮނުވާ ފަންޖަރު : ބަނޑު ބައި 16 ގެ ފަތުރުވެރިންނަށް ފޯމު ފޮނުވާ ފަންޖަރު (އެޕްރީލް 2024)</p> <p>6527166 6527177 : ބަނޑު ބައި 16 ގެ ފަތުރުވެރިންނަށް ފޯމު ފޮނުވާ ފަންޖަރު</p>	8.1
<p>ބަނޑު ބައި 24 ގެ ފަތުރުވެރިންނަށް ފޯމު ފޮނުވާ ފަންޖަރު (އެޕްރީލް 2024)</p> <p>10:30 : ބަނޑު ބައި 24 ގެ ފަތުރުވެރިންނަށް ފޯމު ފޮނުވާ ފަންޖަރު</p> <p>ފޯމު ފޮނުވާ ފަންޖަރު : ބަނޑު ބައި 24 ގެ ފަތުރުވެރިންނަށް ފޯމު ފޮނުވާ ފަންޖަރު (އެޕްރީލް 2024)</p>	9.1
<p>ބަނޑު ބައި 24 ގެ ފަތުރުވެރިންނަށް ފޯމު ފޮނުވާ ފަންޖަރު (އެޕްރީލް 2024)</p> <p>10:30 : ބަނޑު ބައި 24 ގެ ފަތުރުވެރިންނަށް ފޯމު ފޮނުވާ ފަންޖަރު</p> <p>ފޯމު ފޮނުވާ ފަންޖަރު : ބަނޑު ބައި 24 ގެ ފަތުރުވެރިންނަށް ފޯމު ފޮނުވާ ފަންޖަރު (އެޕްރީލް 2024)</p> <p>6527166 6527177 : ބަނޑު ބައި 24 ގެ ފަތުރުވެރިންނަށް ފޯމު ފޮނުވާ ފަންޖަރު</p> <p>bids@kulhudhuffushicity.gov.mv : ބަނޑު ބައި 24 ގެ ފަތުރުވެރިންނަށް ފޯމު ފޮނުވާ ފަންޖަރު</p>	9.2
<p>ބަނޑު ބައި 28 ގެ ފަތުރުވެރިންނަށް ފޯމު ފޮނުވާ ފަންޖަރު (އެޕްރީލް 2024)</p> <p>10:30 : ބަނޑު ބައި 28 ގެ ފަތުރުވެރިންނަށް ފޯމު ފޮނުވާ ފަންޖަރު</p> <p>ފޯމު ފޮނުވާ ފަންޖަރު : ބަނޑު ބައި 28 ގެ ފަތުރުވެރިންނަށް ފޯމު ފޮނުވާ ފަންޖަރު (އެޕްރީލް 2024)</p>	13.1
<p>ބަނޑު ބައި 28 ގެ ފަތުރުވެރިންނަށް ފޯމު ފޮނުވާ ފަންޖަރު (އެޕްރީލް 2024)</p> <p>10:30 : ބަނޑު ބައި 28 ގެ ފަތުރުވެރިންނަށް ފޯމު ފޮނުވާ ފަންޖަރު</p> <p>ފޯމު ފޮނުވާ ފަންޖަރު : ބަނޑު ބައި 28 ގެ ފަތުރުވެރިންނަށް ފޯމު ފޮނުވާ ފަންޖަރު (އެޕްރީލް 2024)</p>	17.1
<p>ބަނޑު ބައި 28 ގެ ފަތުރުވެރިންނަށް ފޯމު ފޮނުވާ ފަންޖަރު (އެޕްރީލް 2024)</p> <p>10:30 : ބަނޑު ބައި 28 ގެ ފަތުރުވެރިންނަށް ފޯމު ފޮނުވާ ފަންޖަރު</p> <p>ފޯމު ފޮނުވާ ފަންޖަރު : ބަނޑު ބައި 28 ގެ ފަތުރުވެރިންނަށް ފޯމު ފޮނުވާ ފަންޖަރު (އެޕްރީލް 2024)</p>	19.1
<p>ބަނޑު ބައި 6 ގެ ފަތުރުވެރިންނަށް ފޯމު ފޮނުވާ ފަންޖަރު</p>	22.1
<p>ބަނޑު ބައި 30 ގެ ފަތުރުވެރިންނަށް ފޯމު ފޮނުވާ ފަންޖަރު (އެޕްރީލް 2024)</p>	30.1
<p>ބަނޑު ބައި 32 ގެ ފަތުރުވެރިންނަށް ފޯމު ފޮނުވާ ފަންޖަރު (އެޕްރީލް 2024)</p>	32.1

- 17.2 18.1 18.1.1 18.1.2 18.1.3 18.1.4 18.1.5 18.1.6 18.1.7 18.1.8 18.1.9 18.1.10 18.1.11 18.1.12 18.1.13 18.1.14 18.1.15 18.1.16 18.1.17 18.1.18 18.1.19 18.1.20 18.1.21 18.1.22 18.1.23 18.1.24 18.1.25 18.1.26 18.1.27 18.1.28 18.1.29 18.1.30 18.1.31 18.1.32 18.1.33 18.1.34 18.1.35 18.1.36 18.1.37 18.1.38 18.1.39 18.1.40 18.1.41 18.1.42 18.1.43 18.1.44 18.1.45 18.1.46 18.1.47 18.1.48 18.1.49 18.1.50 18.1.51 18.1.52 18.1.53 18.1.54 18.1.55 18.1.56 18.1.57 18.1.58 18.1.59 18.1.60 18.1.61 18.1.62 18.1.63 18.1.64 18.1.65 18.1.66 18.1.67 18.1.68 18.1.69 18.1.70 18.1.71 18.1.72 18.1.73 18.1.74 18.1.75 18.1.76 18.1.77 18.1.78 18.1.79 18.1.80 18.1.81 18.1.82 18.1.83 18.1.84 18.1.85 18.1.86 18.1.87 18.1.88 18.1.89 18.1.90 18.1.91 18.1.92 18.1.93 18.1.94 18.1.95 18.1.96 18.1.97 18.1.98 18.1.99 18.1.100

23.1. 23. 2023-2024 2nd Quarter Report of the Council of the City of Kufu
 2023-2024 2nd Quarter Report of the Council of the City of Kufu

24.1. 24. 2024-2025 1st Quarter Report of the Council of the City of Kufu
 2024-2025 1st Quarter Report of the Council of the City of Kufu

(a) 2,500,000 (2024-2025 1st Quarter Report of the Council of the City of Kufu)
 5,000,000 (2024-2025 1st Quarter Report of the Council of the City of Kufu)
 10% (2024-2025 1st Quarter Report of the Council of the City of Kufu)

(a) 2024-2025 1st Quarter Report of the Council of the City of Kufu
 2024-2025 1st Quarter Report of the Council of the City of Kufu
 5% (2024-2025 1st Quarter Report of the Council of the City of Kufu)

(a) 2024-2025 1st Quarter Report of the Council of the City of Kufu
 2024-2025 1st Quarter Report of the Council of the City of Kufu

(a) 2024-2025 1st Quarter Report of the Council of the City of Kufu
 2024-2025 1st Quarter Report of the Council of the City of Kufu

... ..

32.3

32.4

32.5

33.1

33

33.2

33.3

"... 11.02.2024 ..."

33.4

... 11.02.2024 ...

(1) ...

(1) ...

(2) ...

(3) ...

(4) ...

34.1

34. ...

... 11.03.2024 ...

(1) 11.03.2024 11:03

(2) 11.03.2024 11:03

(3) 11.03.2024 11:03

(4) 11.03.2024 11:03

(5) 11.03.2024 11:03

(6) 11.03.2024 11:03

(7) 11.03.2024 11:03

(8) 11.03.2024 11:03

(9) 11.03.2024 11:03

(10) 11.03.2024 11:03

(11) 11.03.2024 11:03

(12) 11.03.2024 11:03

(13) 11.03.2024 11:03

37. 11.03.2024 11:03

3 -

38.1-38.5

38.1 "38.1-38.5" 38.1-38.5

38.1-38.5

38.2 "38.2" 38.2

38.3 "38.3" 38.3

38.4 "38.4" 38.4

38.5 "38.5" 38.5

38.6 "38.6" 38.6

38.7 "38.7" 38.7

38.7 "38.7" 38.7

39.1 "39.1" 39.1

39.1-39.5

- 39.2. 39.2. The Council has received a report from the Council of the Capital Territory on the progress of the implementation of the 100 Days Plan for the year 2024/2025. The Council has expressed its appreciation for the progress made and has requested the Council of the Capital Territory to continue to report on the progress of the implementation of the 100 Days Plan.
- 39.3. 39.3. The Council has received a report from the Council of the Capital Territory on the progress of the implementation of the 100 Days Plan for the year 2024/2025. The Council has expressed its appreciation for the progress made and has requested the Council of the Capital Territory to continue to report on the progress of the implementation of the 100 Days Plan.
- 40.1. 40.1. The Council has received a report from the Council of the Capital Territory on the progress of the implementation of the 100 Days Plan for the year 2024/2025. The Council has expressed its appreciation for the progress made and has requested the Council of the Capital Territory to continue to report on the progress of the implementation of the 100 Days Plan.
- 40.2. 40.2. The Council has received a report from the Council of the Capital Territory on the progress of the implementation of the 100 Days Plan for the year 2024/2025. The Council has expressed its appreciation for the progress made and has requested the Council of the Capital Territory to continue to report on the progress of the implementation of the 100 Days Plan.
- 41.1. 41.1. The Council has received a report from the Council of the Capital Territory on the progress of the implementation of the 100 Days Plan for the year 2024/2025. The Council has expressed its appreciation for the progress made and has requested the Council of the Capital Territory to continue to report on the progress of the implementation of the 100 Days Plan.
- 41.2. 41.2. The Council has received a report from the Council of the Capital Territory on the progress of the implementation of the 100 Days Plan for the year 2024/2025. The Council has expressed its appreciation for the progress made and has requested the Council of the Capital Territory to continue to report on the progress of the implementation of the 100 Days Plan.
- 41.3. 41.3. The Council has received a report from the Council of the Capital Territory on the progress of the implementation of the 100 Days Plan for the year 2024/2025. The Council has expressed its appreciation for the progress made and has requested the Council of the Capital Territory to continue to report on the progress of the implementation of the 100 Days Plan.
- 42.1. 42.1. The Council has received a report from the Council of the Capital Territory on the progress of the implementation of the 100 Days Plan for the year 2024/2025. The Council has expressed its appreciation for the progress made and has requested the Council of the Capital Territory to continue to report on the progress of the implementation of the 100 Days Plan.
- 42.2. 42.2. The Council has received a report from the Council of the Capital Territory on the progress of the implementation of the 100 Days Plan for the year 2024/2025. The Council has expressed its appreciation for the progress made and has requested the Council of the Capital Territory to continue to report on the progress of the implementation of the 100 Days Plan.

4 - 4 - 4 - 4

4 - 4 - 4 - 4

1 - 1 - 1 - 1

4 - 4 - 4 - 4

4 - 4 - 4 - 4	4 - 4 - 4 - 4	4 - 4 - 4 - 4	#
4 - 4 - 4 - 4			
4 - 4 - 4 - 4	4 - 4 - 4 - 4	4 - 4 - 4 - 4	1.
4 - 4 - 4 - 4	4 - 4 - 4 - 4	4 - 4 - 4 - 4	2.
4 - 4 - 4 - 4	4 - 4 - 4 - 4	4 - 4 - 4 - 4	3.
4 - 4 - 4 - 4	4 - 4 - 4 - 4	4 - 4 - 4 - 4	4.
4 - 4 - 4 - 4	4 - 4 - 4 - 4	4 - 4 - 4 - 4	5.
4 - 4 - 4 - 4	4 - 4 - 4 - 4	4 - 4 - 4 - 4	6.
4 - 4 - 4 - 4	4 - 4 - 4 - 4	4 - 4 - 4 - 4	7.
4 - 4 - 4 - 4			
4 - 4 - 4 - 4	4 - 4 - 4 - 4	4 - 4 - 4 - 4	8.
4 - 4 - 4 - 4	4 - 4 - 4 - 4	4 - 4 - 4 - 4	9.
4 - 4 - 4 - 4			
4 - 4 - 4 - 4	4 - 4 - 4 - 4	4 - 4 - 4 - 4	10.
4 - 4 - 4 - 4	4 - 4 - 4 - 4	4 - 4 - 4 - 4	11.
4 - 4 - 4 - 4	4 - 4 - 4 - 4	4 - 4 - 4 - 4	12.
4 - 4 - 4 - 4	4 - 4 - 4 - 4	4 - 4 - 4 - 4	13.

<p>14. 11-12-2024</p>	
✓	<p>3 14. 11-12-2024</p>
✓	<p>15. 11-12-2024</p>

2 - 2024

2024

1. 2024	
1.1	2024
1.2	2024
2. 2024	
2.1	2024
2.2	2024
3. 2024	
3.1	2024
3.2	2024
4. 2024	
4.1	2024
4.2	2024
4.3	2024
5. 2024	
2024	2024
2024	2024
2024	2024
2024	2024

3 - مقررۃ

مقررۃ و مقررۃ و مقررۃ

1. مقررۃ و مقررۃ و مقررۃ		
	1.1 -	مقررۃ و مقررۃ و مقررۃ
	1.2 -	مقررۃ و مقررۃ و مقررۃ
	1.3 -	مقررۃ و مقررۃ و مقررۃ
	1.4 -	مقررۃ و مقررۃ و مقررۃ
	1.5 -	مقررۃ و مقررۃ و مقررۃ
	1.6 -	مقررۃ و مقررۃ و مقررۃ
	1.7 -	مقررۃ و مقررۃ و مقررۃ
2. مقررۃ و مقررۃ و مقررۃ (مقررۃ و مقررۃ و مقررۃ، مقررۃ و مقررۃ و مقررۃ، مقررۃ و مقررۃ و مقررۃ)		
#	مقررۃ	مقررۃ
3. مقررۃ و مقررۃ و مقررۃ		

4 - ٲٲٲٲ

ٲٲٲٲ ٲٲٲٲ ٲٲٲٲ

ٲٲٲٲ ٲٲٲٲ ٲٲٲٲ ٲٲٲٲ			
ٲٲٲٲ ٲٲٲٲ (ٲٲٲٲ)	ٲٲٲٲ ٲٲٲٲ	ٲٲٲٲ ٲٲٲٲ	#
	ٲٲٲٲ		
ٲٲٲٲ ٲٲٲٲ ٲٲٲٲ ٲٲٲٲ			
ٲٲٲٲ ٲٲٲٲ (ٲٲٲٲ)	ٲٲٲٲ ٲٲٲٲ	ٲٲٲٲ ٲٲٲٲ	ٲٲٲٲ ٲٲٲٲ ٲٲٲٲ
	ٲٲٲٲ		

5 - ٲٲٲٲ

5 () 5 ٲٲٲٲ ٲٲٲٲ ٲٲٲٲ ٲٲٲٲ ٲٲٲٲ ٲٲٲٲ

ٲٲٲٲ ٲٲٲٲ ٲٲٲٲ ٲٲٲٲ ٲٲٲٲ ٲٲٲٲ ٲٲٲٲ ٲٲٲٲ ٲٲٲٲ

ٲٲٲٲ ٲٲٲٲ ()	ٲٲٲٲ ٲٲٲٲ	ٲٲٲٲ ٲٲٲٲ	ٲٲٲٲ ٲٲٲٲ	#
ٲٲٲٲ				

6

...

...
95	95 x
5
100

ބަންދު ގަވާއިދު 7
(ބަންދު ގަވާއިދުގެ ފޮރމު)

Form of Bid Security (Bank Guarantee)

WHEREAS,[name of Bidder] (hereinafter called “the Bidder”) [company registration number] has submitted his Bid for the Project no.....issued by the Secretariat of Kulhudhuffushi City Council onfor construction of[name of Contract] (hereinafter called “the Bid”) under Invitation of bidders No. [Announcement Number]

KNOW ALL PEOPLE by these presents that We [name of Bank] of [name of country] having our registered office at (hereinafter called “the Bank”) are bound unto[name of Purchaser] (hereinafter called “the Purchaser”) in the sum of *..... for which payment well and truly to be made to the said Purchaser, the Bank binds itself, its successors, and assigns by these presents.

SEALED with the Common Seal of the said Bank thisday of20.....

THE CONDITIONS of this obligation are:

- (1) If, after Bid opening, the Bidder withdraws his Bid during the period of Bid validity specified in the Form of Bid; or
(2) If the Bidder having been notified of the acceptance of his Bid by the Purchaser during the period of Bid validity:
(a) fails or refuses to execute the Form of Agreement in accordance with the Instructions to Bidders, if required; or
(b) fails or refuses to furnish the Performance Security, in accordance with the Instruction to Bidders; or
(c) does not accept the correction of the Bid Price pursuant to Clause 27,

* The Bidder should insert the amount of the Guarantee in words and figures denominated in Maldivian Rufiyaa. This figure should be the same as shown in Clause 28.1 of the Instructions to Bidders.

we undertake to pay to the Purchaser up to the above amount upon receipt of his first written demand, without the Purchaser’s having to substantiate his demand, provided that in his demand the Purchaser will note that the amount claimed by him is due to him owing to the occurrence of one or any of the three conditions, specifying the occurred condition or conditions.

This Guarantee will remain in force up to and including the date days after the deadline for submission of bids as such deadline is stated in the Instructions to Bidders or as it may be extended by the Purchaser, notice of which extension(s) to the Bank is hereby waived. Any demand in respect of this Guarantee should reach the Bank not later than the above date.

DATE..... SIGNATURE OF THE BANK

WITNESS SEAL

[signature, name, and address]

5 - 5

5

2024 1- 2024 1- 2024 1- 2024 1- 2024

#	5	5	5
1	50	5%	5
2	200	5%	5
3	250	10%	5
4	200	10%	5
5	160	10%	5
6	75	10%	5
7	250	10%	5
8	250	10%	5
9	375	10%	5
10	150	10%	5
11	1050	10%	5
12	200	5%	5
13	40	5%	5
14	200	5%	5
15	200	5%	5

6 - Եզրակացություն

Մանրամասնացում և վերաբացում

Հաստատված կարգավորումների համակարգի ներդրումը

1.1. Սույն համակարգը հաստատված կարգավորումների համակարգի համապատասխանության փուլի ընթացքում կատարվող աշխատանքների արդյունքն է:

1.1.1. Համակարգը ներդրում է գործընթացի արագացման և սխալների կրճատման 1-րդ համապատասխանության փուլում:

1.1.2. Համակարգը ներդրում է կատարելության հասնելու համար համապատասխանության փուլի ընթացքում:

1.1.3. Գործընթացի շարունակականությունը և համակարգի կիրառումը նպաստում է ինֆորմացիայի մատչելիությանը և ծախսերի կրճատմանը համակարգի ներդրումը:

1.1.4. Համակարգը ներդրում է անցնել համապատասխանության փուլի ընթացքում 3-րդ համապատասխանության փուլին:

1.1.5. Համակարգը ներդրում է կատարելության հասնելու համար համապատասխանության փուլի ընթացքում 48 օրվա ընթացքում:

1.1.6. Համակարգը ներդրում է կատարելության հասնելու համար համապատասխանության փուլի ընթացքում անհրաժեշտ է աշխատանքների կատարումը:

1.1.7. Համակարգը ներդրում է կատարելության հասնելու համար համապատասխանության փուլի ընթացքում անհրաժեշտ է աշխատանքների կատարումը:

1.1.8. Համակարգը ներդրում է կատարելության հասնելու համար համապատասխանության փուլի ընթացքում անհրաժեշտ է աշխատանքների կատարումը:

1.1.9. Համակարգը ներդրում է կատարելության հասնելու համար համապատասխանության փուլի ընթացքում անհրաժեշտ է աշխատանքների կատարումը:

1.1.10. Համակարգը ներդրում է կատարելության հասնելու համար համապատասխանության փուլի ընթացքում անհրաժեշտ է աշխատանքների կատարումը:

1.1.11. Համակարգը ներդրում է կատարելության հասնելու համար համապատասխանության փուլի ընթացքում անհրաժեշտ է աշխատանքների կատարումը:

1.1.12. Համակարգը ներդրում է կատարելության հասնելու համար համապատասխանության փուլի ընթացքում անհրաժեշտ է աշխատանքների կատարումը:

1.1.13. Համակարգը ներդրում է կատարելության հասնելու համար համապատասխանության փուլի ընթացքում անհրաժեշտ է աշխատանքների կատարումը:

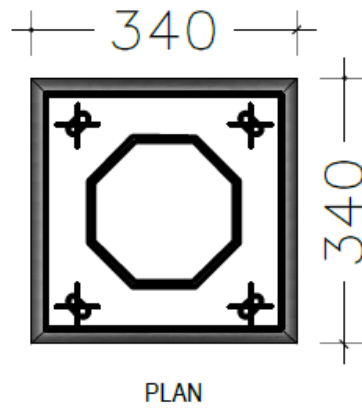
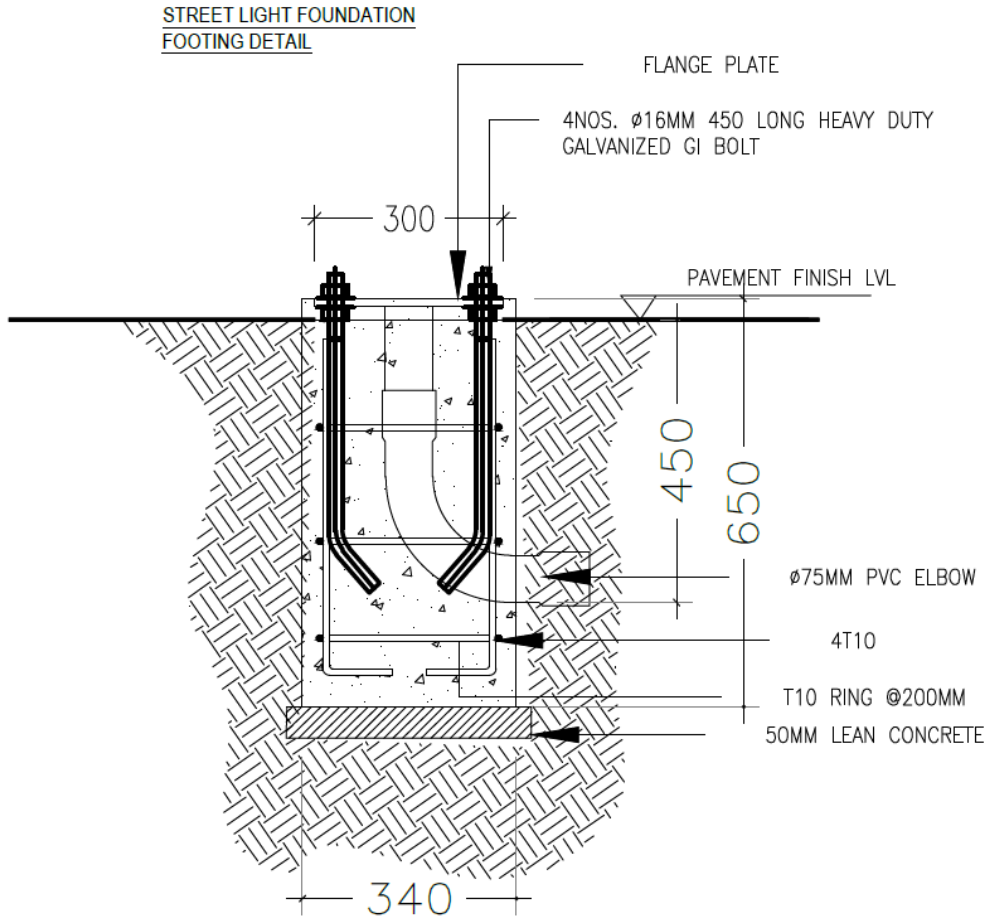
3. 3.1. 3.2.

3.1. 3.2.

Table with 10 rows and 1 column containing various financial or administrative terms in Maldivian script.

3.2. 3.3.

2



SCALE 1:20