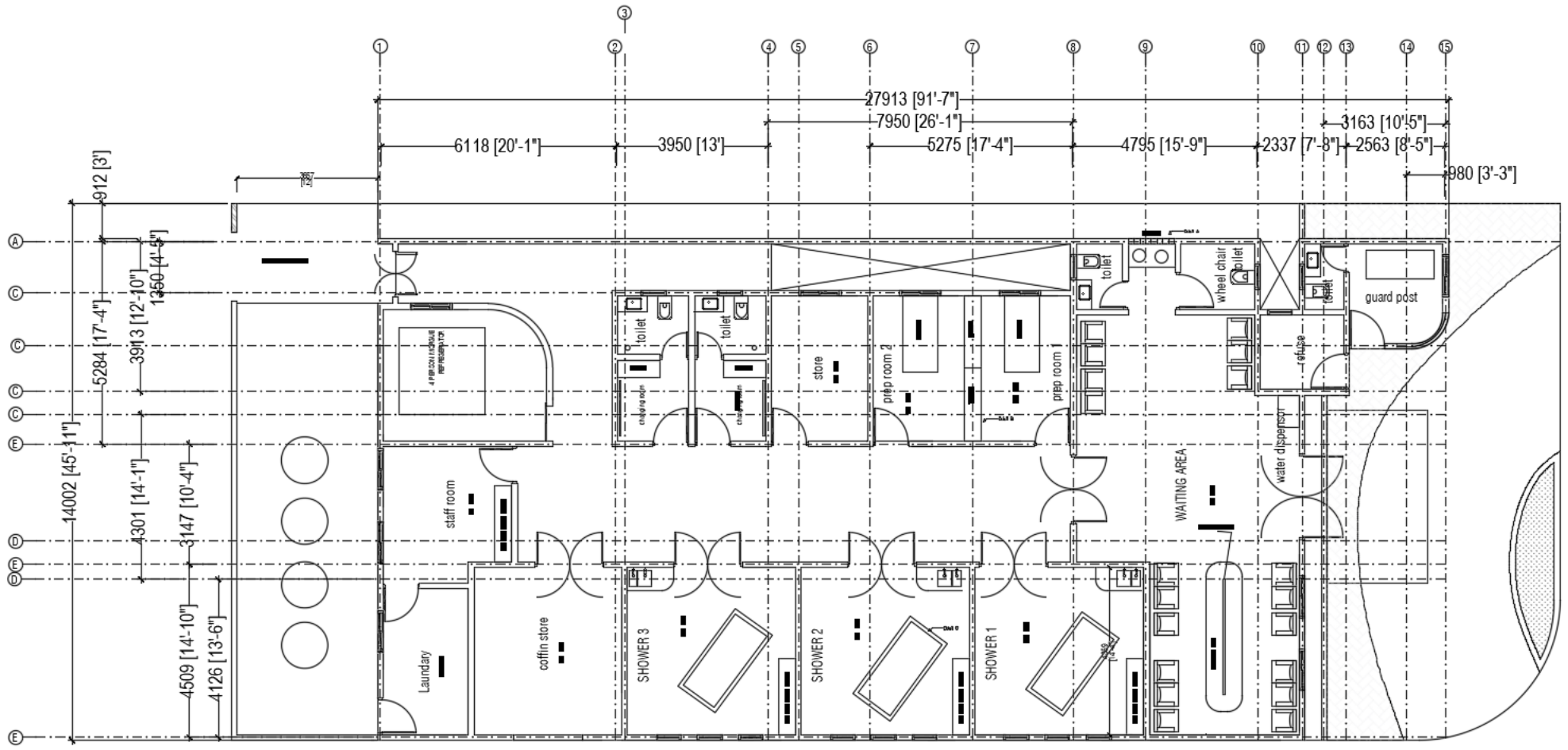


SITE PLAN

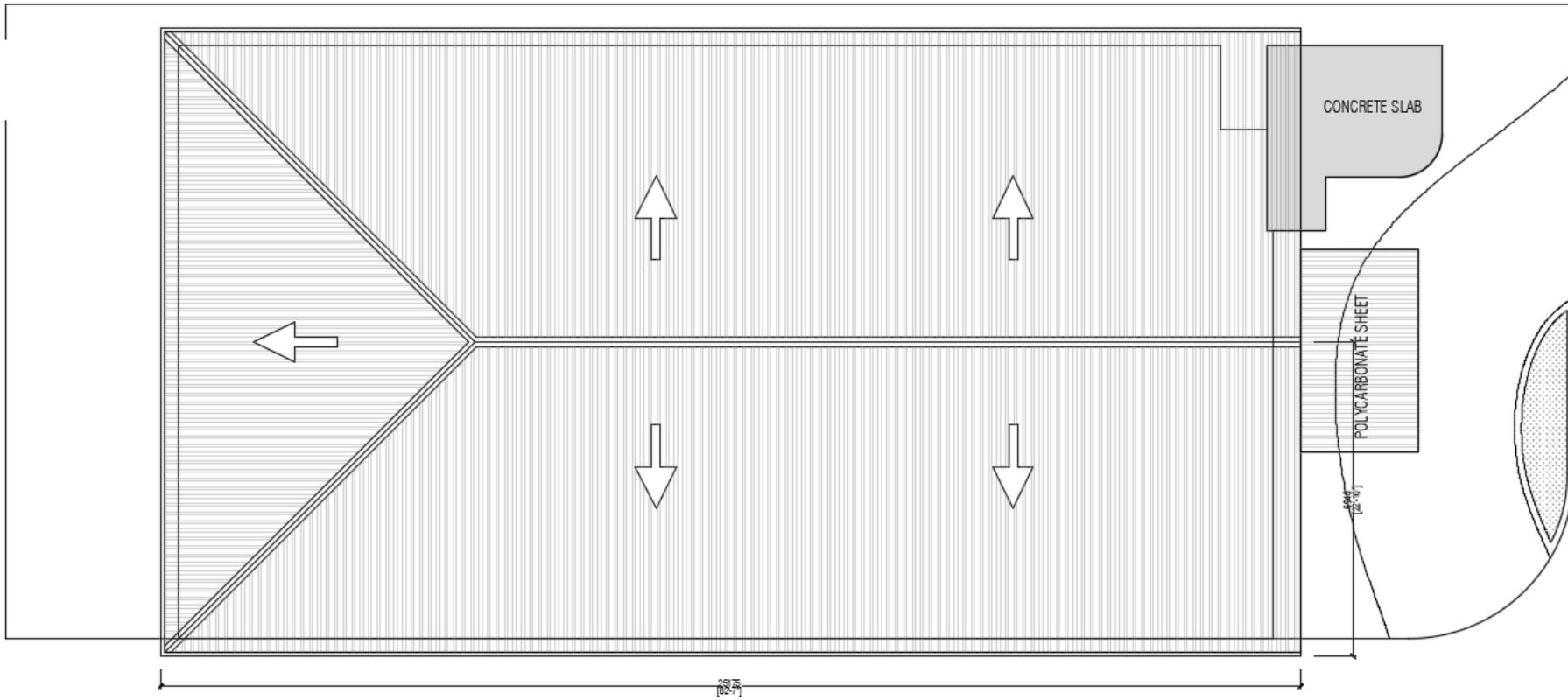
1:50
1:100



FLOOR PLAN

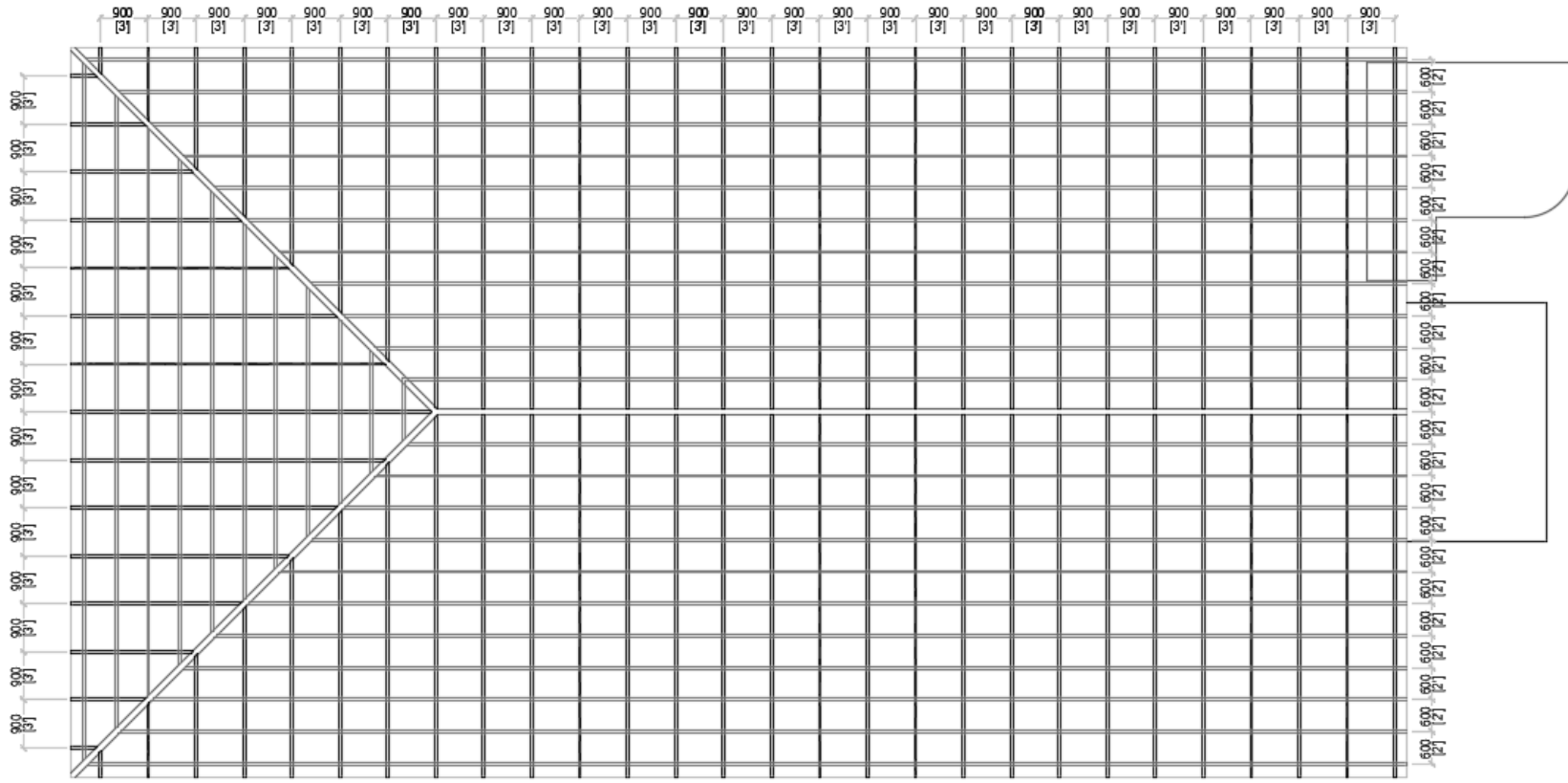
8x8 shutter door



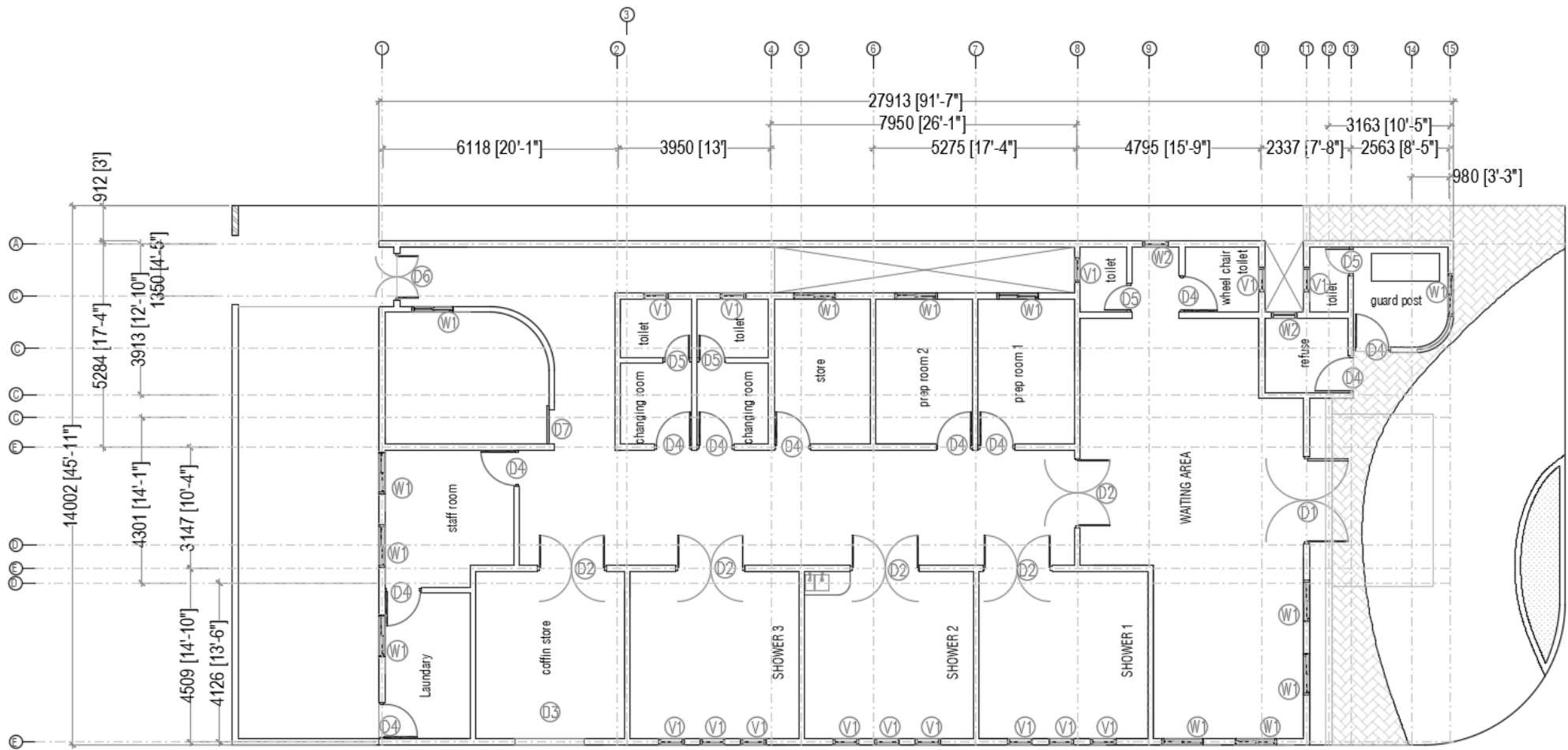


ROOF PLAN





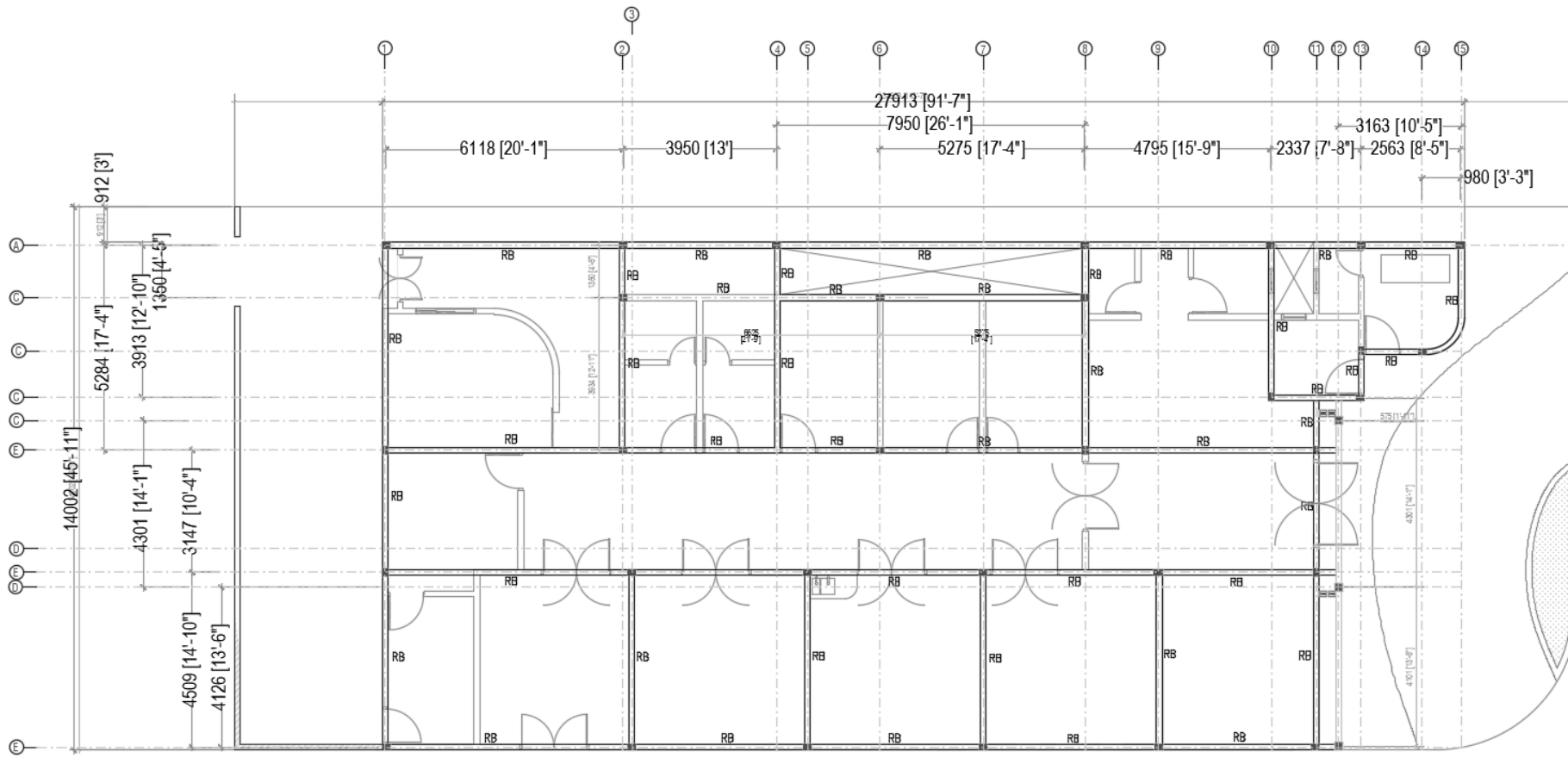
ROOF STRUCTURE PLAN



14002 [45'-11"]
 5284 [17'-4"]
 3913 [12'-10"]
 1350 [4'-5"]
 4301 [14'-1"]
 3147 [10'-4"]
 4509 [14'-10"]
 4126 [13'-6"]

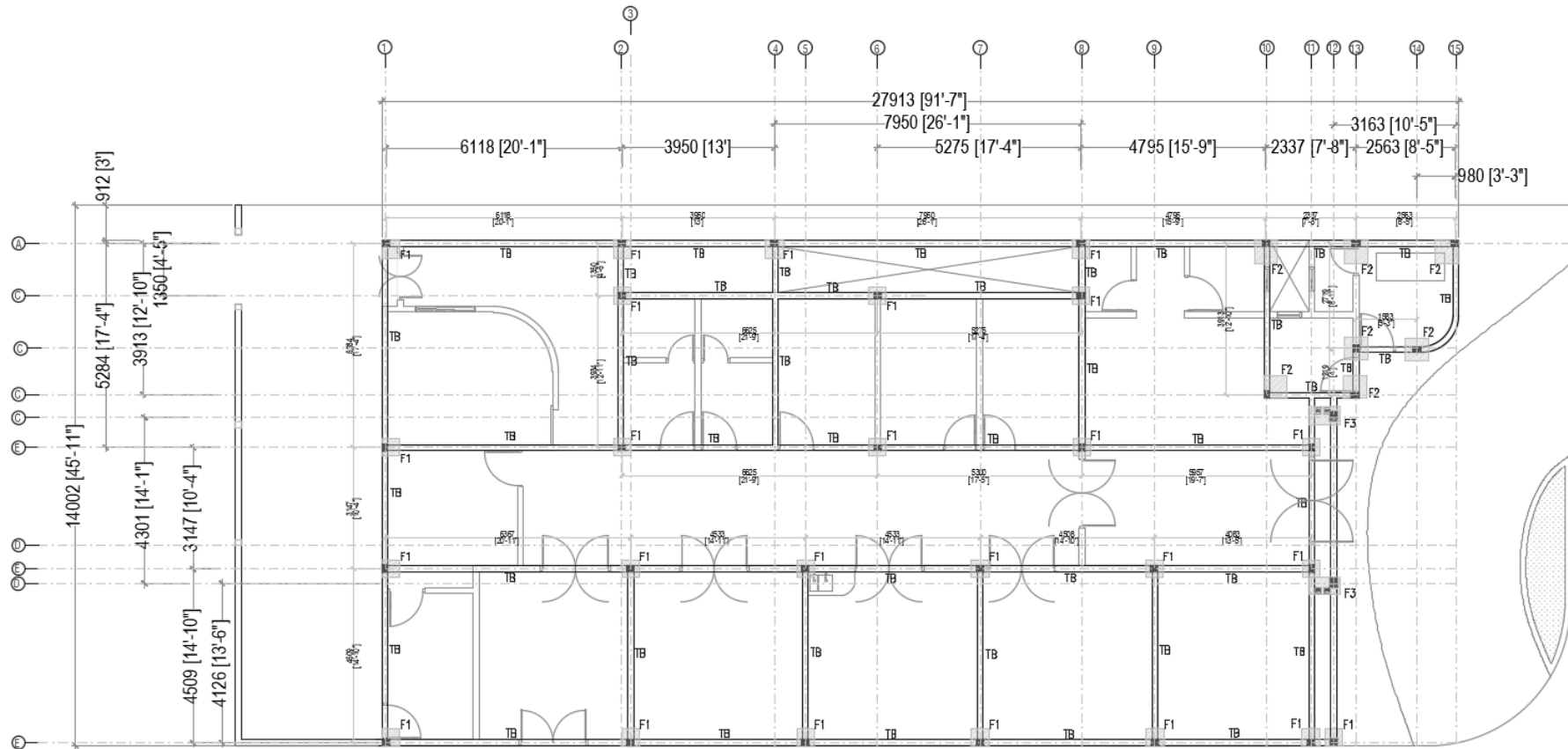
6118 [20'-1"]
 3950 [13']
 27913 [91'-7"]
 7950 [26'-1"]
 5275 [17'-4"]
 4795 [15'-9"]
 2337 [7'-8"]
 3163 [10'-5"]
 2563 [8'-5"]
 980 [3'-3"]





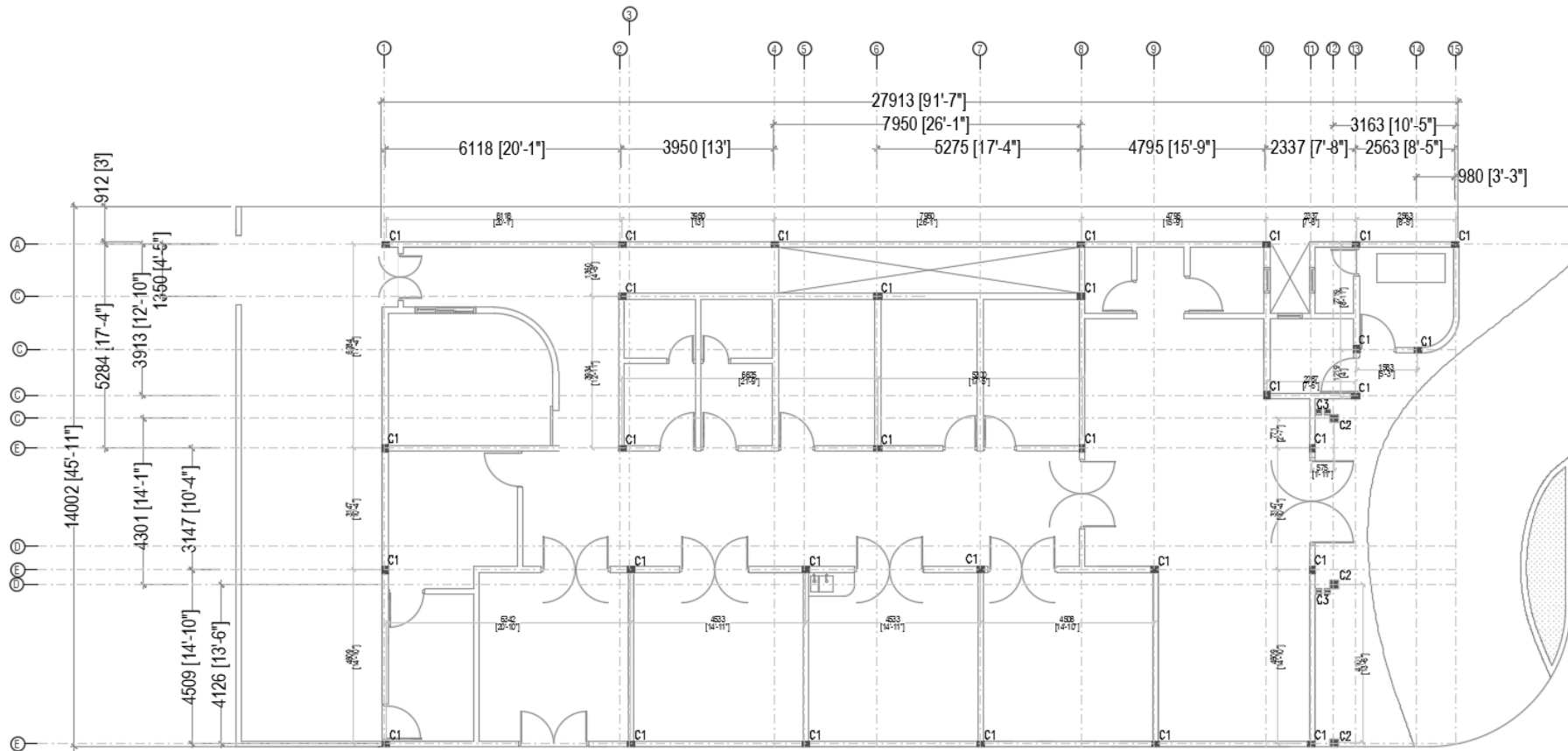
ROOF BEAM PLAN



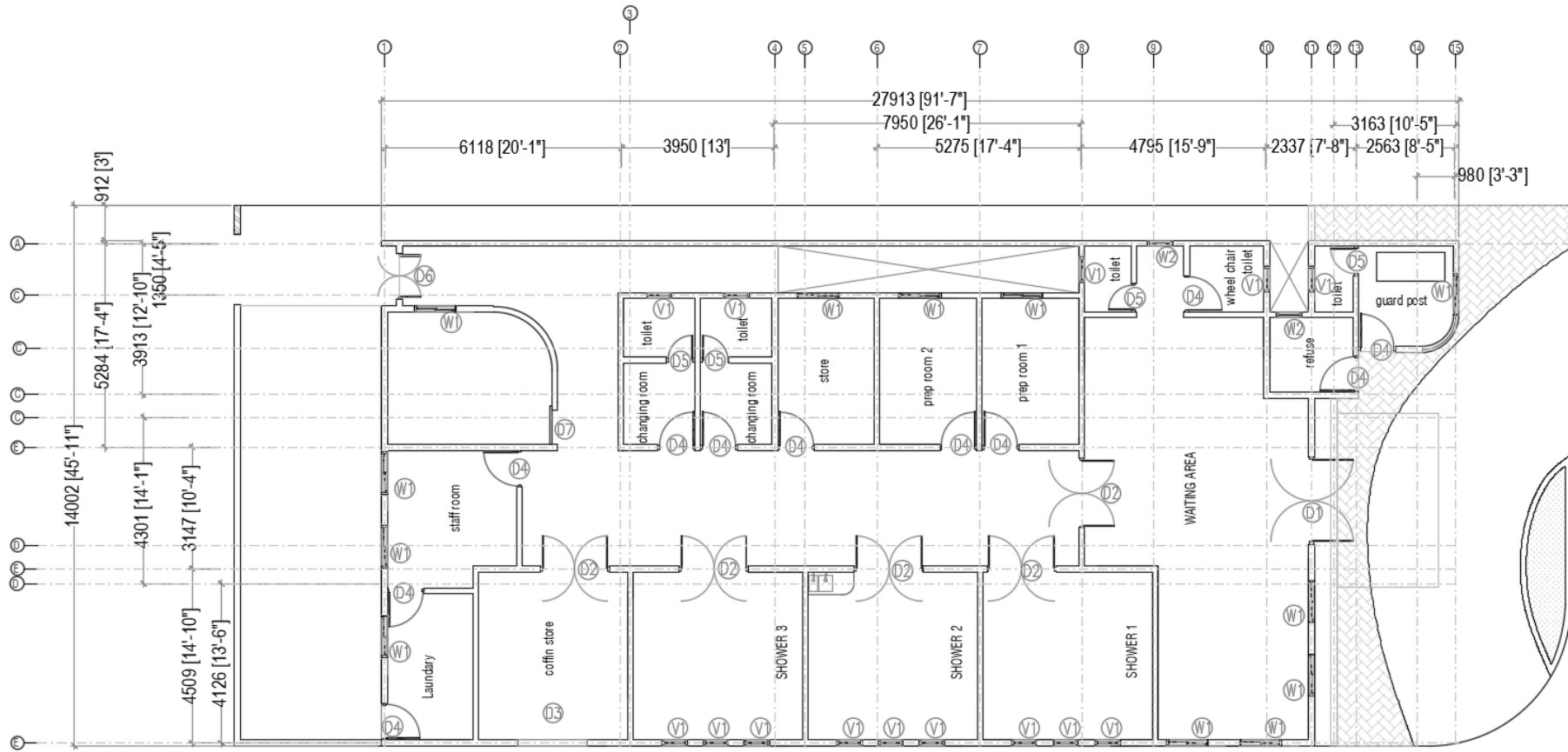


FOUNDATION PLAN



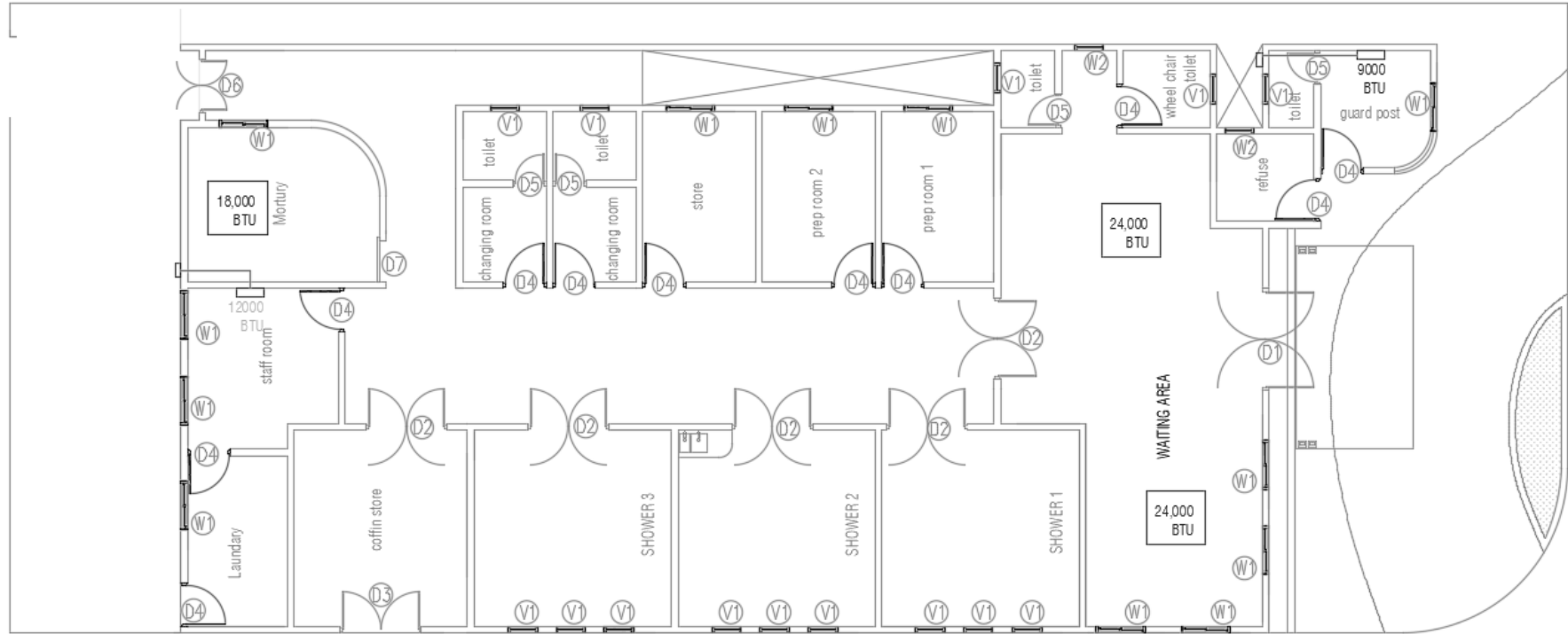


COLUMN LAYOUT



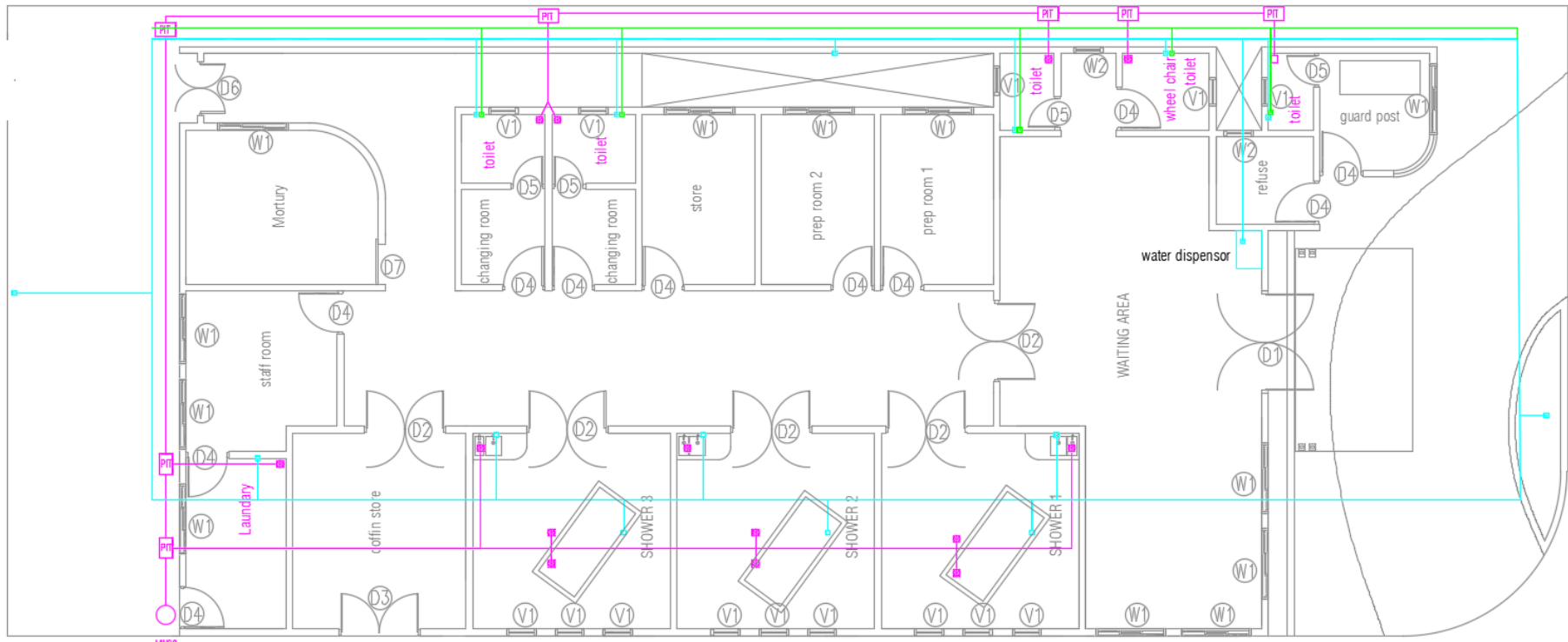
Dimensions (Metric [Imperial]):

- Vertical dimensions (left side):
 - 912 [3]
 - 5284 [17'-4"]
 - 3913 [12'-10"]
 - 1350 [4'-5"]
 - 14002 [45'-11"]
 - 4301 [14'-1"]
 - 3147 [10'-4"]
 - 4509 [14'-10"]
 - 4126 [13'-6"]
- Horizontal dimensions (top):
 - 6118 [20'-1"]
 - 3950 [13]
 - 27913 [91'-7"]
 - 7950 [26'-1"]
 - 5275 [17'-4"]
 - 4795 [15'-9"]
 - 2337 [7'-8"]
 - 3163 [10'-5"]
 - 2563 [8'-5"]
 - 980 [3'-3"]



AC/LAYOUT





MWSC CONNECTION

FRESH WATER LINE

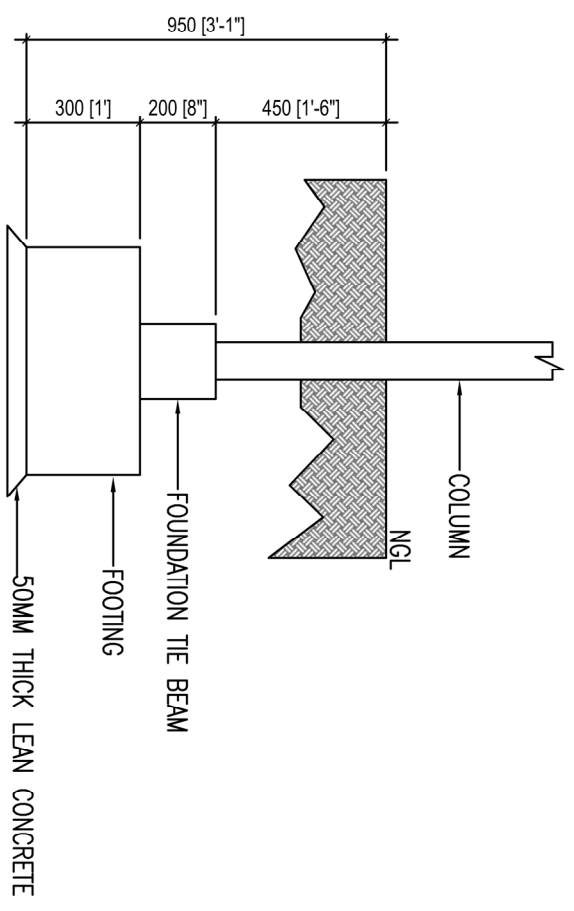
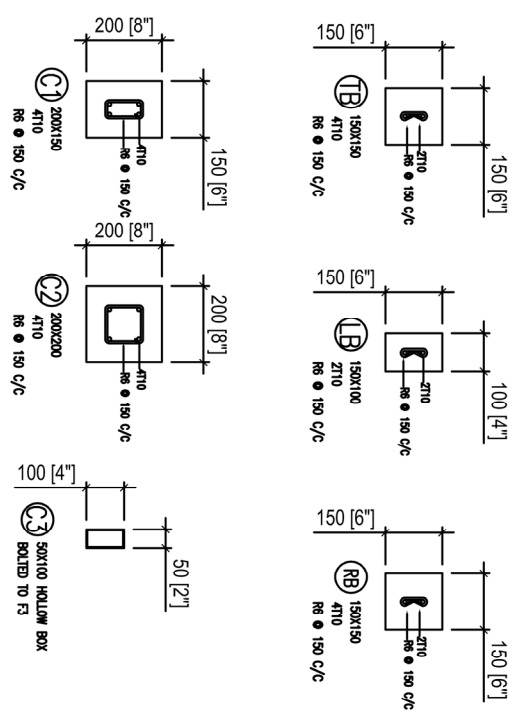
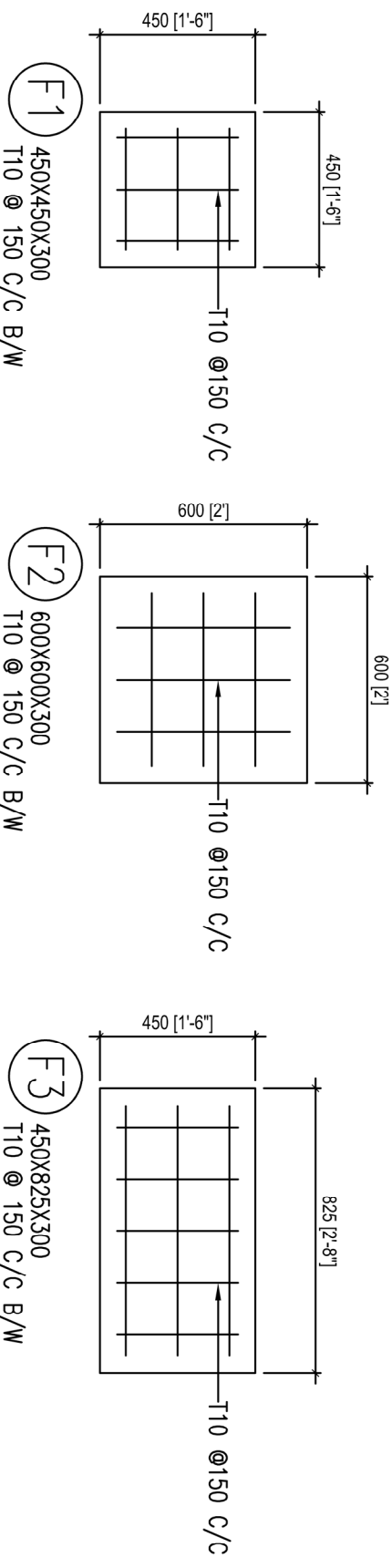
SEWER LINE

GROUND WATER

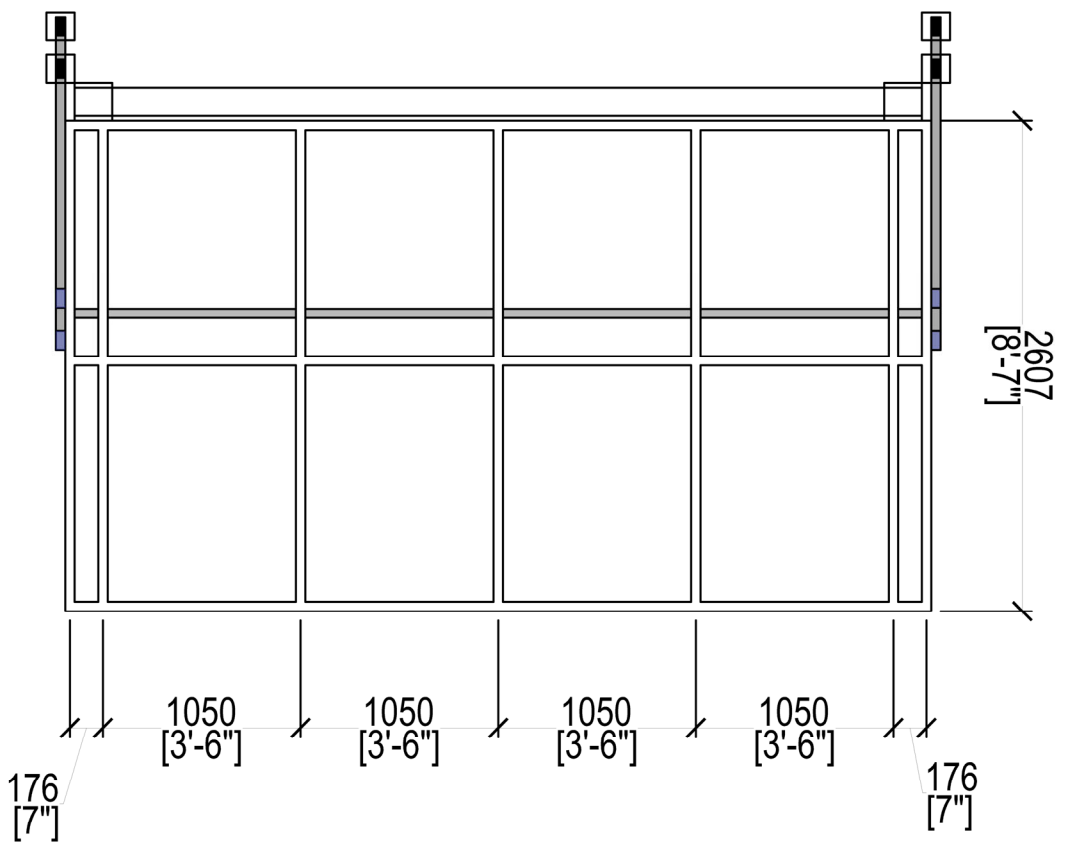
PLUMBING LAYOUT



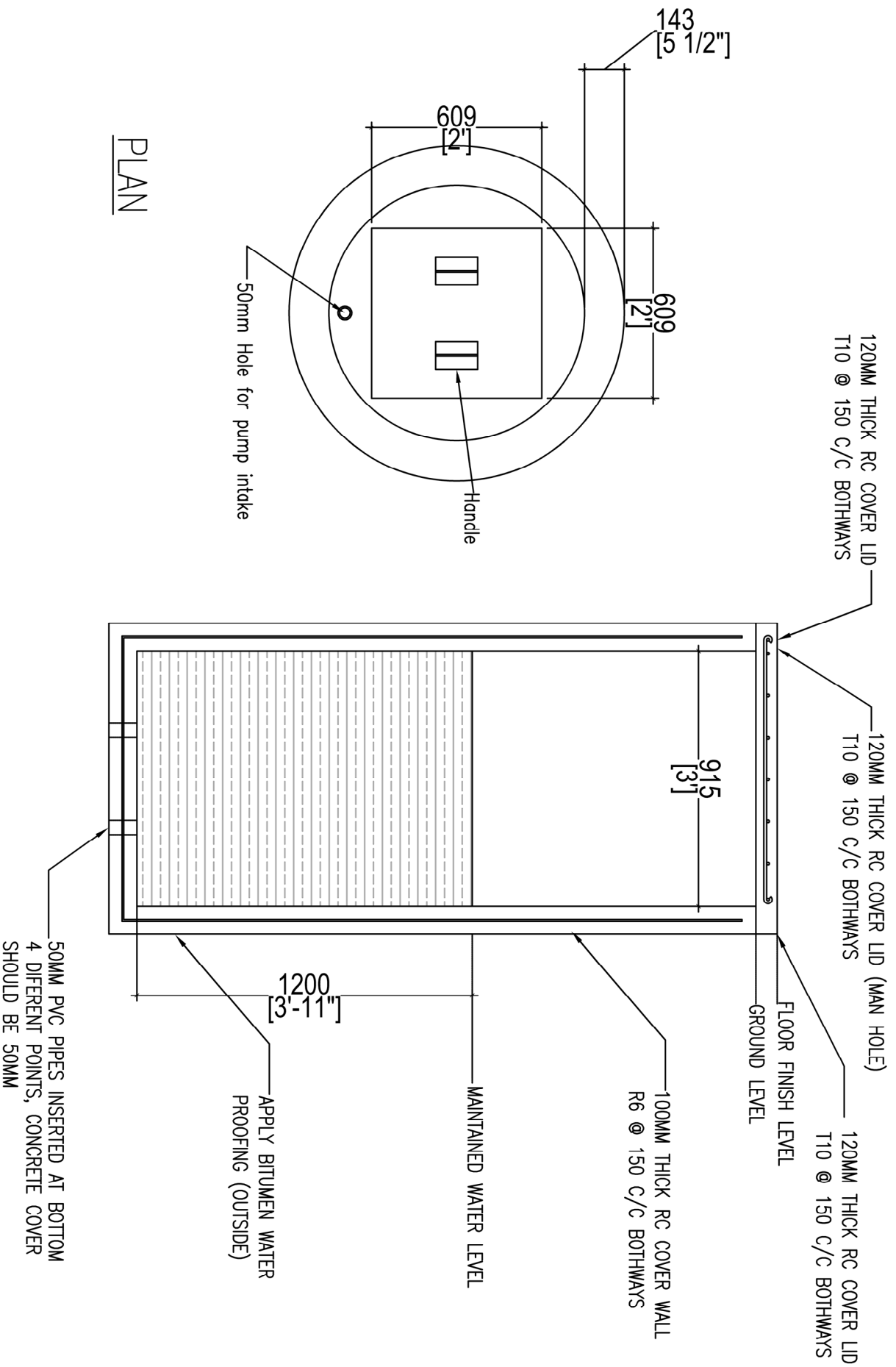
FOUNDATION DETAIL



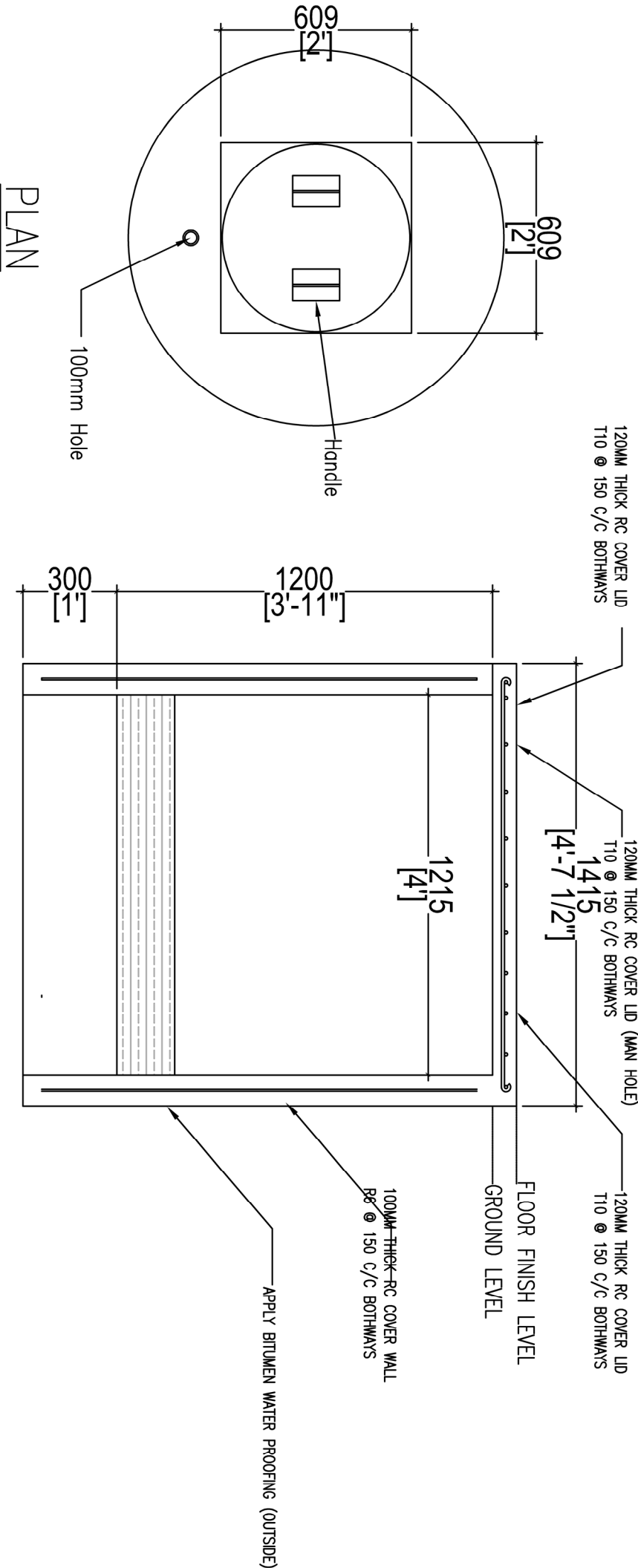
STRUCTURE OF POLYCARBONATE SHEET



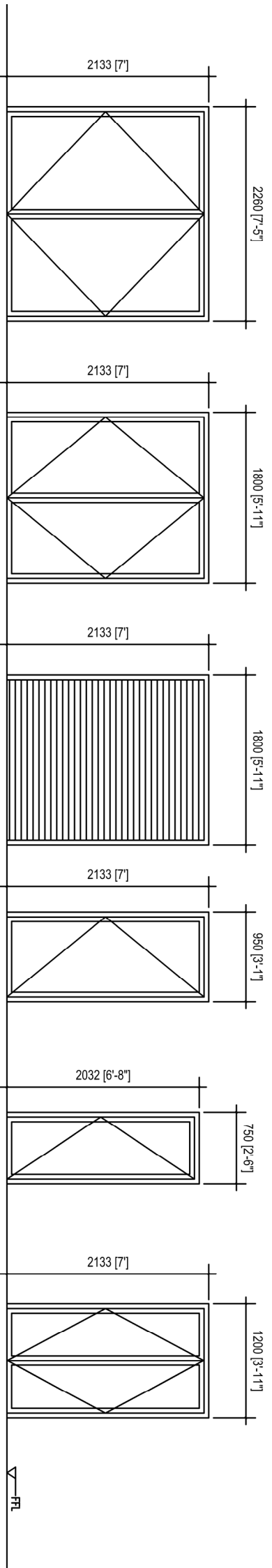
WATER WELL



DRAIN WELL



DOOR WINDOW SCHEDULE



D1
ALUMINIUM FRAMED OPENABLE DOORS
2 SWING DOUBLE DOORS
2 NOS DOOR HANDLE
8 NOS SS HINGES (4")

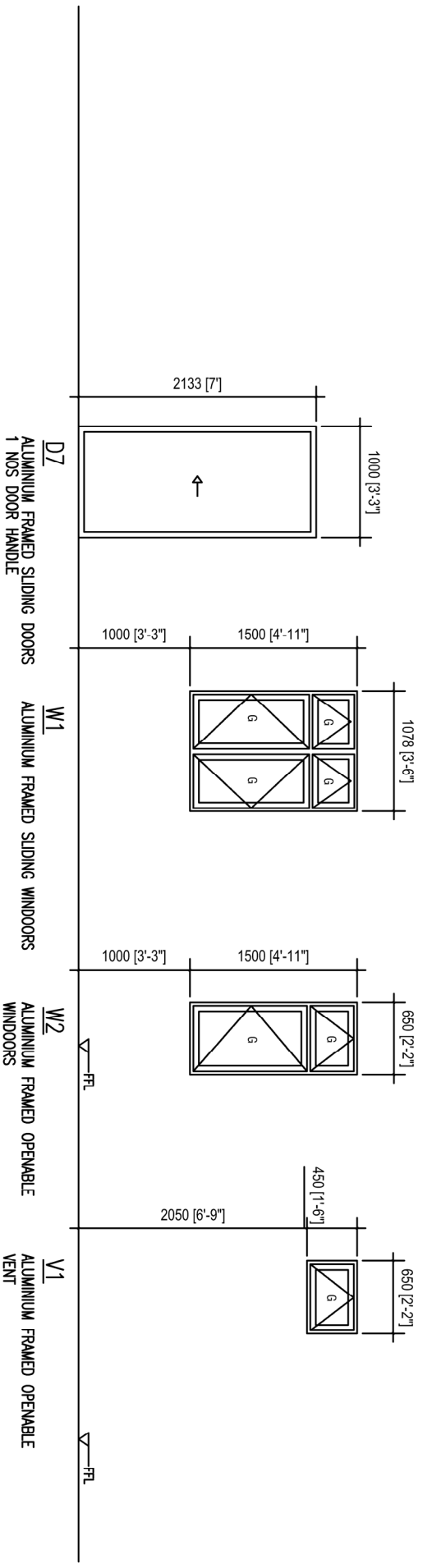
D2
ALUMINIUM FRAMED OPENABLE DOORS
2 SWING DOUBLE DOORS
2 NOS DOOR HANDLE
8 NOS SS HINGES (4")

D3
SHUTTER DOOR

D4
ALUMINIUM FRAMED OPENABLE DOORS
1 NOS DOOR HANDLE
4 NOS SS HINGES (4")

D5
ALUMINIUM FRAMED OPENABLE DOORS
1 NOS DOOR HANDLE
4 NOS SS HINGES (4")

D6
ALUMINIUM FRAMED OPENABLE DOORS
2 SWING DOUBLE DOORS
2 NOS DOOR HANDLE
8 NOS SS HINGES (4")

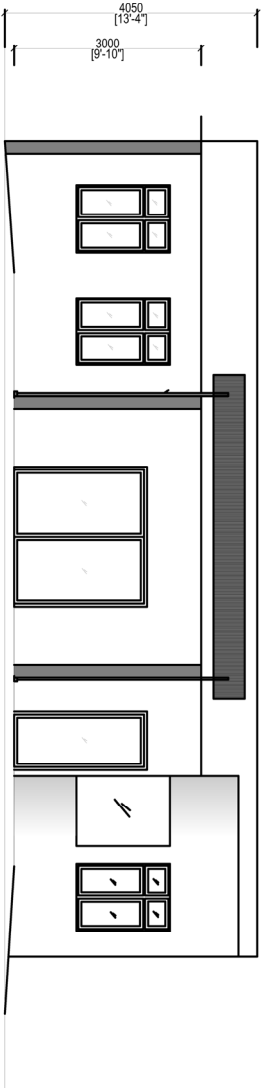


D7
ALUMINIUM FRAMED SLIDING DOORS
1 NOS DOOR HANDLE

W1
ALUMINIUM FRAMED SLIDING WINDOWS

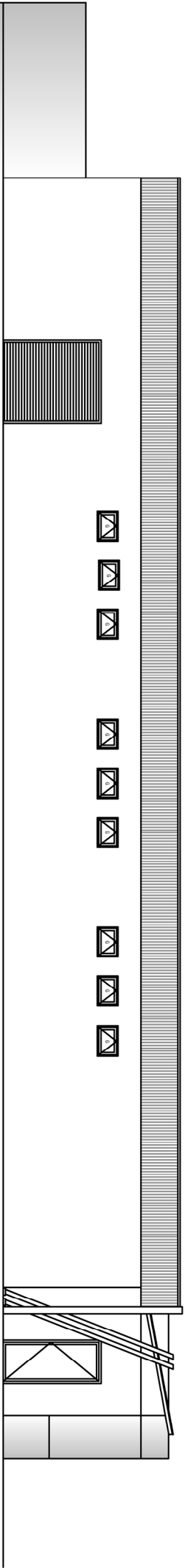
W2
ALUMINIUM FRAMED OPENABLE WINDOWS

V1
ALUMINIUM FRAMED OPENABLE VENT



FRONT ELEVATION

SCALE = 1:100



SIDE ELEVATION