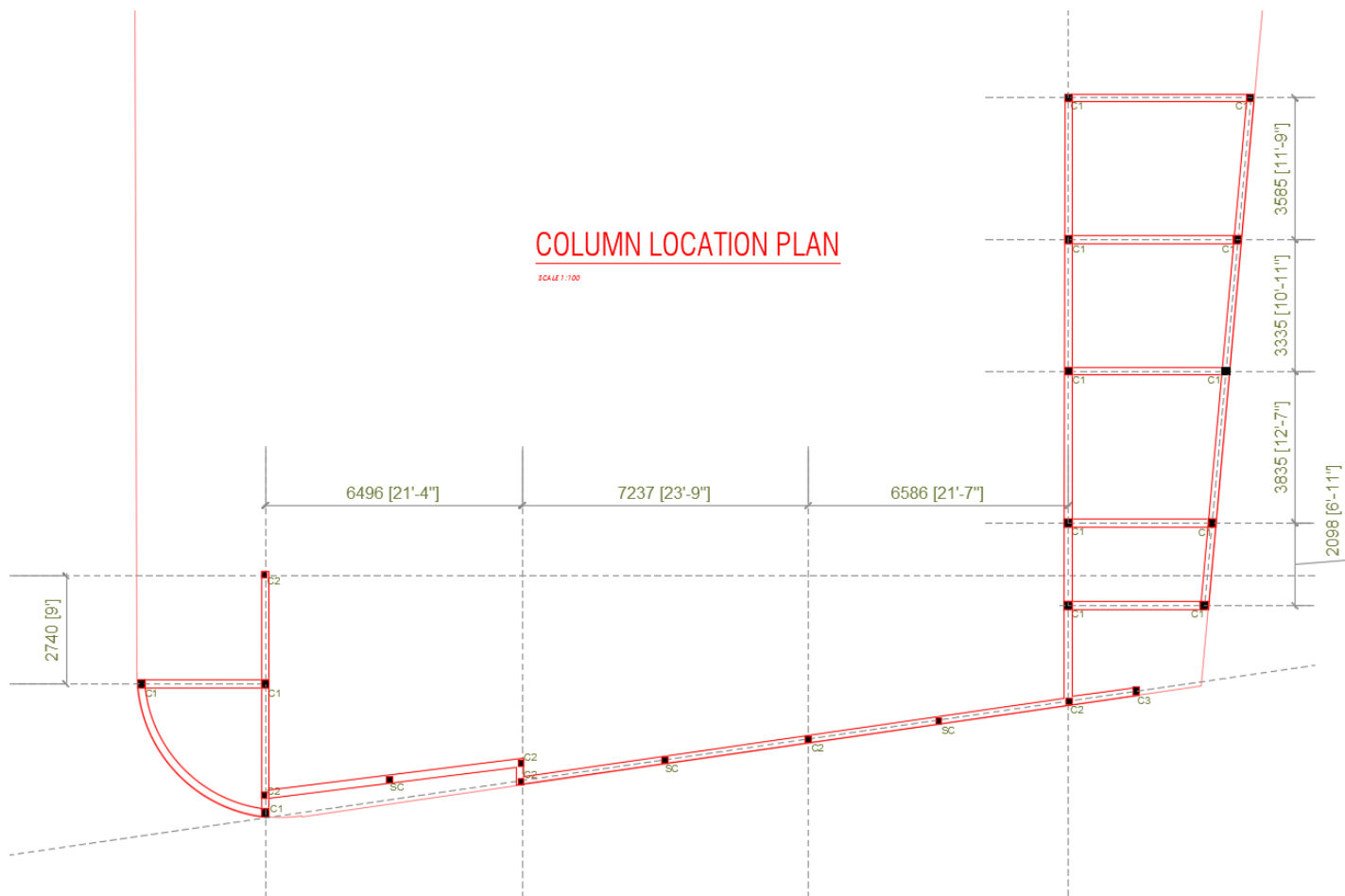


COLUMN LOCATION PLAN

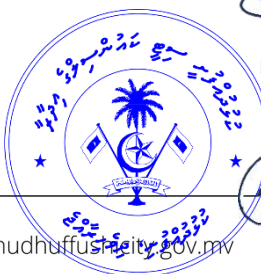
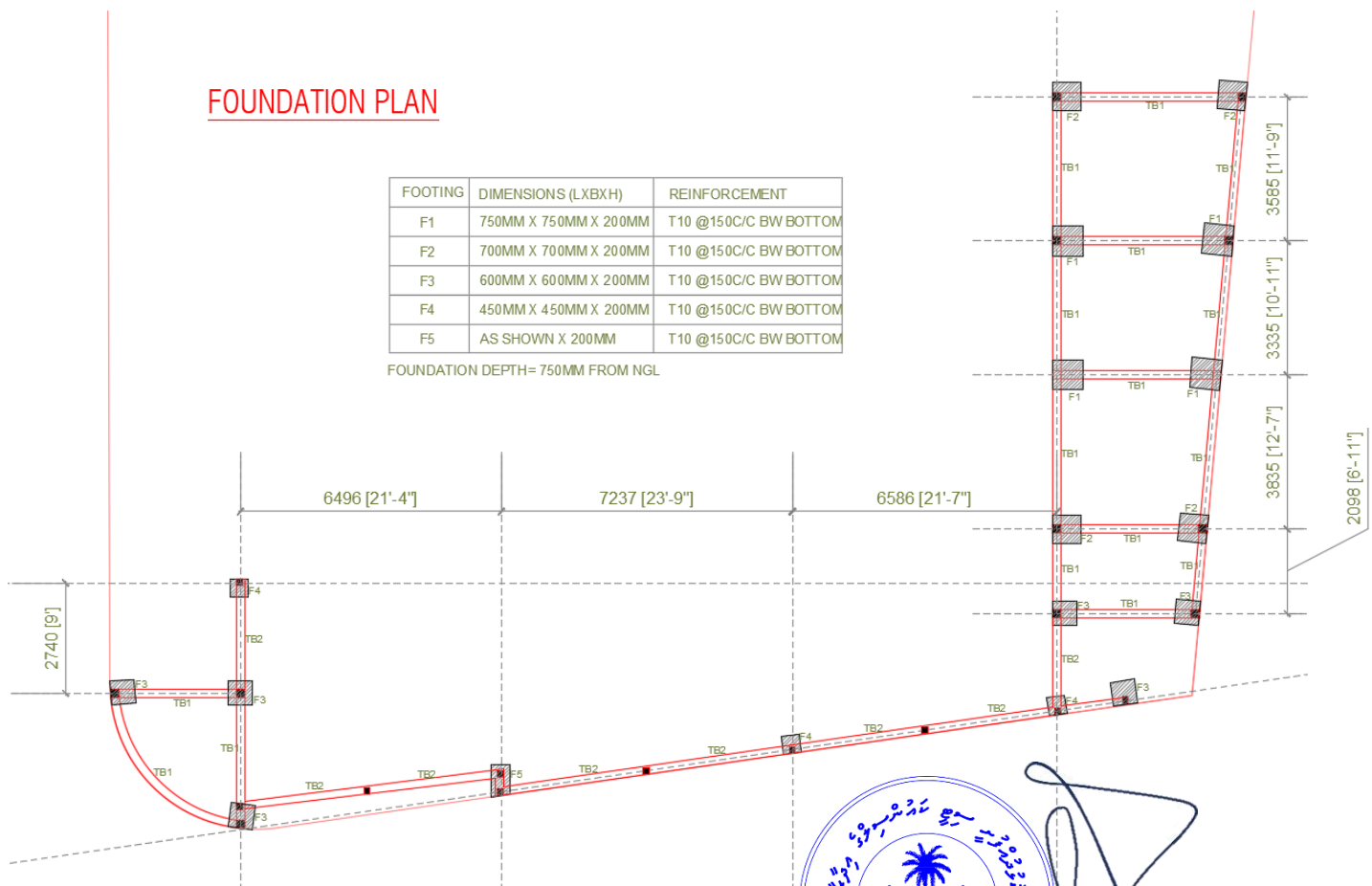
SCALE 1:100



FOUNDATION PLAN

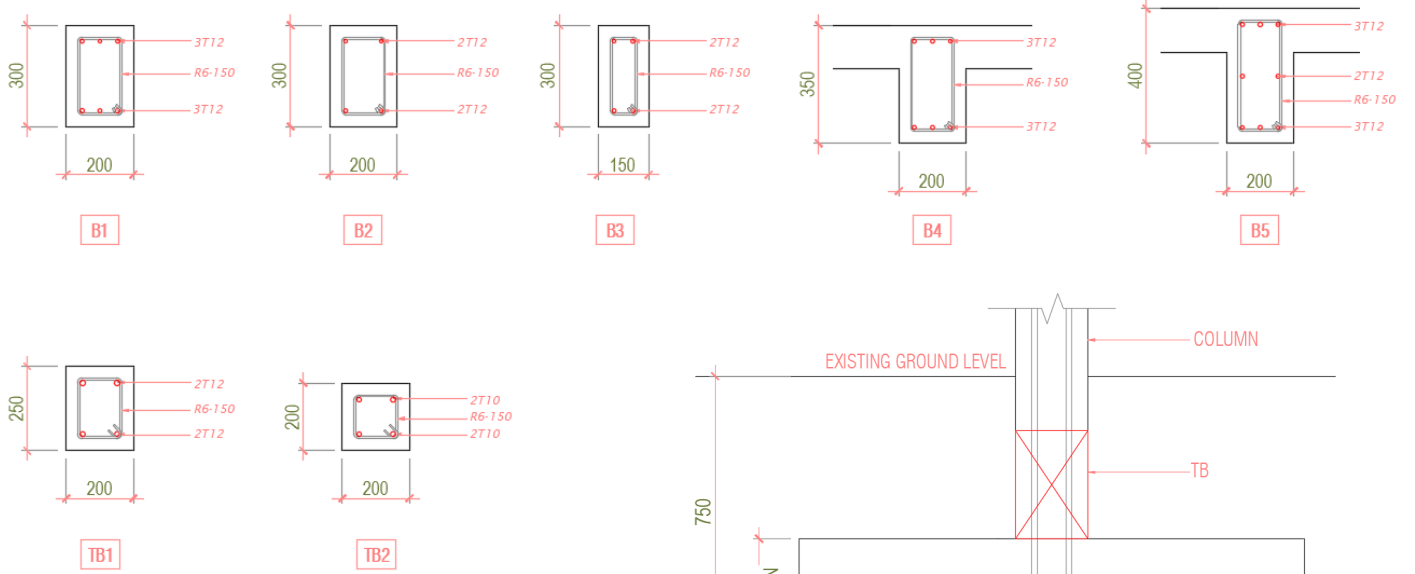
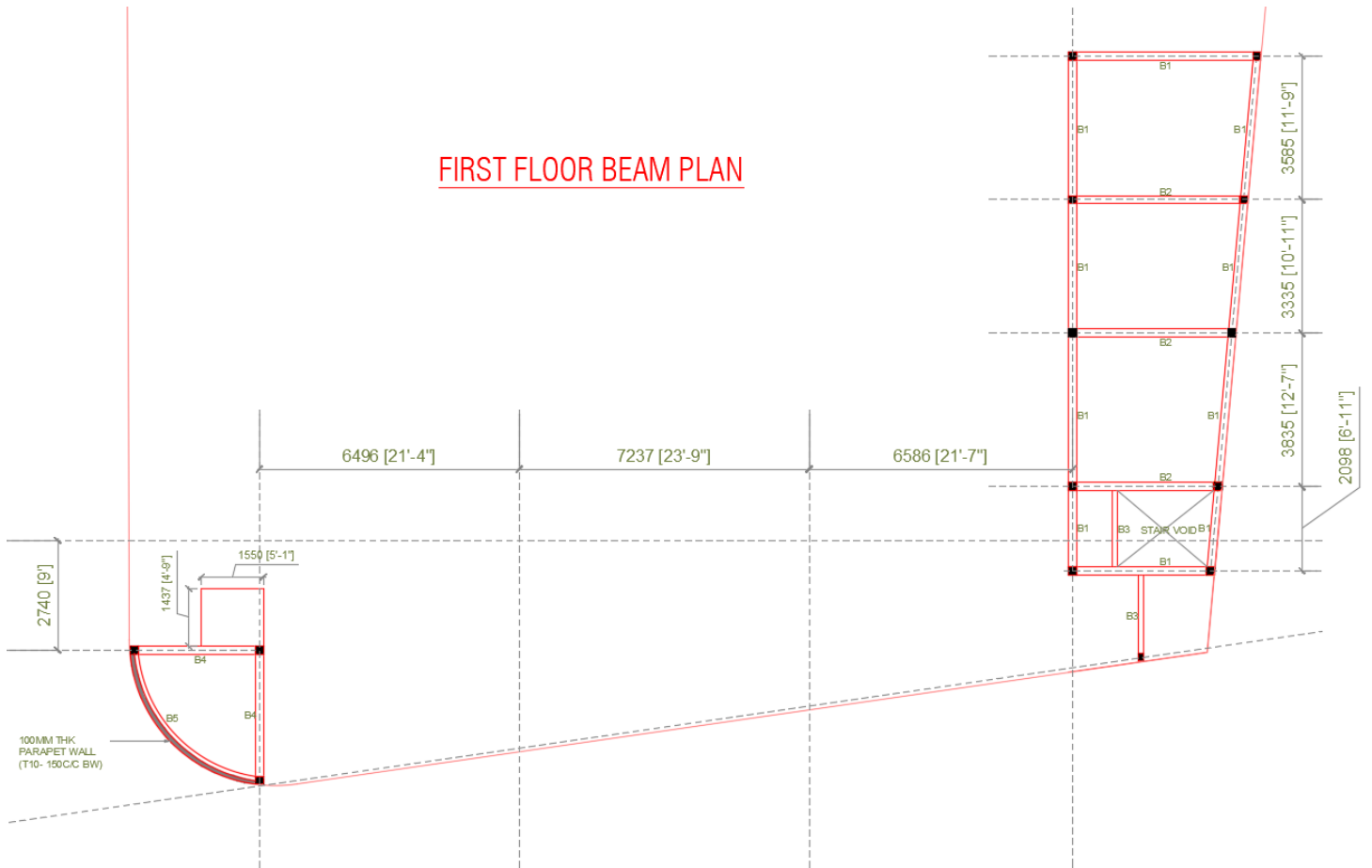
FOOTING	DIMENSIONS (LXBXH)	REINFORCEMENT
F1	750MM X 750MM X 200MM	T10 @150C/C BW BOTTOM
F2	700MM X 700MM X 200MM	T10 @150C/C BW BOTTOM
F3	600MM X 600MM X 200MM	T10 @150C/C BW BOTTOM
F4	450MM X 450MM X 200MM	T10 @150C/C BW BOTTOM
F5	AS SHOWN X 200MM	T10 @150C/C BW BOTTOM

FOUNDATION DEPTH = 750MM FROM NGL



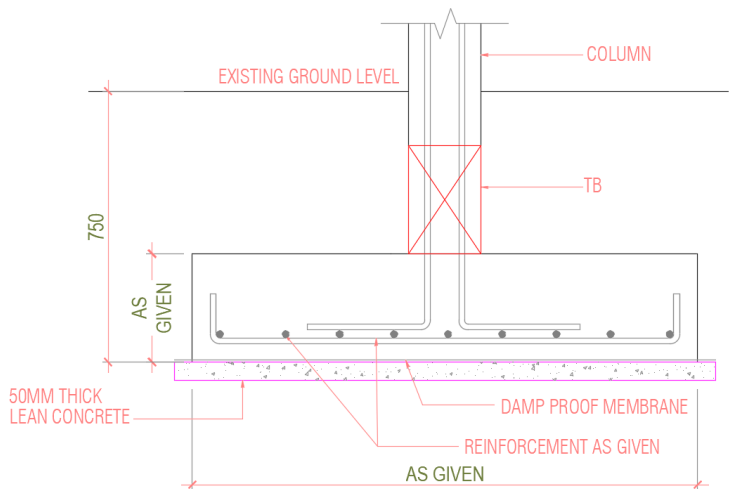
7 57

FIRST FLOOR BEAM PLAN



BEAM DETAILS

SCALE 1:20



FOUNDATION PAD DETAIL

SCALE 1:20



System	Networking interface	10/100 MbE RJ45 port
	Power method	PoE
Audio	Microphone	Yes (Can be disabled)
	Speaker	Yes
Software	Web application	UniFi Protect: Version 2.2.7 or 2.7.28 and later
	Mobile app	UniFi Protect iOS™ and Android™: Version 1.10.0 and later

Network Video Recorder Specifications

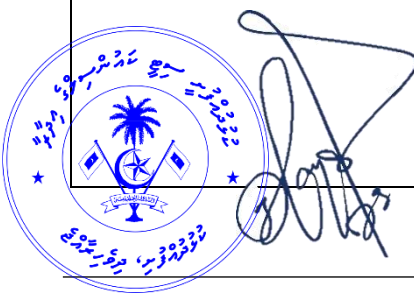
Mechanical	Dimensions	442 x 325 x 87 mm (17.4 x 12.8 x 3.4")
Hardware	Management interface	Ethernet In-Band
	RF interface	Bluetooth 4.1
	Supported voltage range	100—240V AC
	LCM display	(1) 1.3" touchscreen
Features	(7) 3.5" HDD / SSD support	
	(1) 10G SFP+ uplink and (1) GbE RJ45 port	
	Data protection with RAID storage technology	
	DC power backup-ready	
Required Storage	NVR must be installed with Storage enough to store at least 1 month of recording with high resolution for the cameras in the drawing. Each hard drive needs to be 8TB surveillance hard drives	

24 Port Network Switch Specifications

Hardware	Networking interface	(12) 1 GbE RJ45 ports
		(12) 2.5 GbE RJ45 ports
		(2) 10G SFP+ ports
	PoE interface	(24) PoE/PoE+ (Pins 1, 2+; 3, 6-)
	Supported voltage range	100—240V AC
	LCM display	(1) 1.3" color touchscreen
Application Requirements	UniFi Network	Version 5.14.12 and later

Wi-Fi Access point specifications

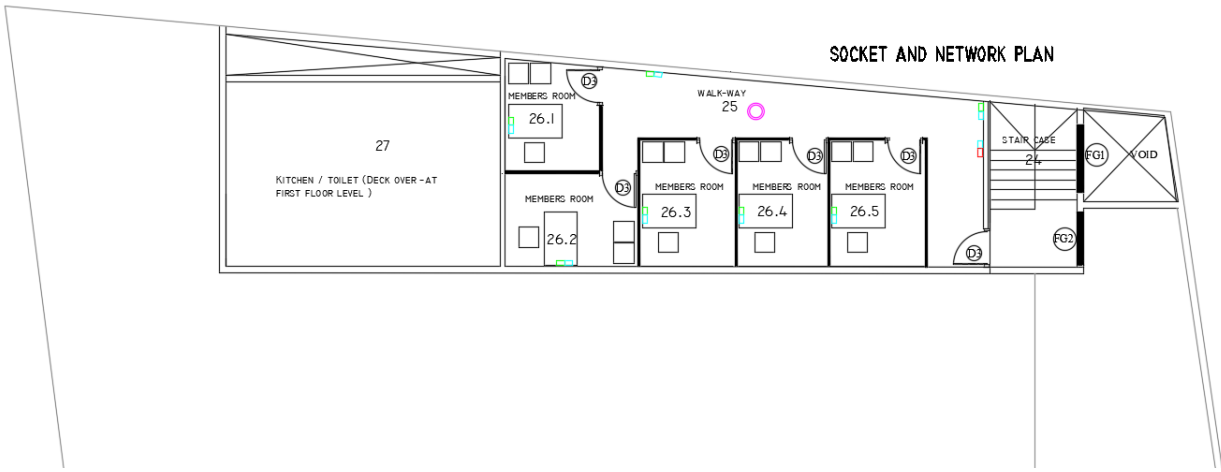
Hardware	Networking interface	(1) 2.5GbE RJ45 port
	Management interface	Ethernet
		Bluetooth
	Power method	PoE+
	Power supply	UniFi PoE switch
		48V, 0.5A PoE adapter (optional)
	Max. TX power	2.4 GHz: 22dBm
		5-7 GHz: 26dBm
		MIMO
		6 GHz: 4 x 4 (DL/UL MU-MIMO)



Software	WiFi standards	802.11a/b/g
	Wireless security	WiFi 4/WiFi 5/WiFi 6/WiFi 6E WPA-PSK, WPA-Enterprise (WPA/WPA2/WPA3)
Application Requirements	UniFi Network	Version 7.2.91 and later

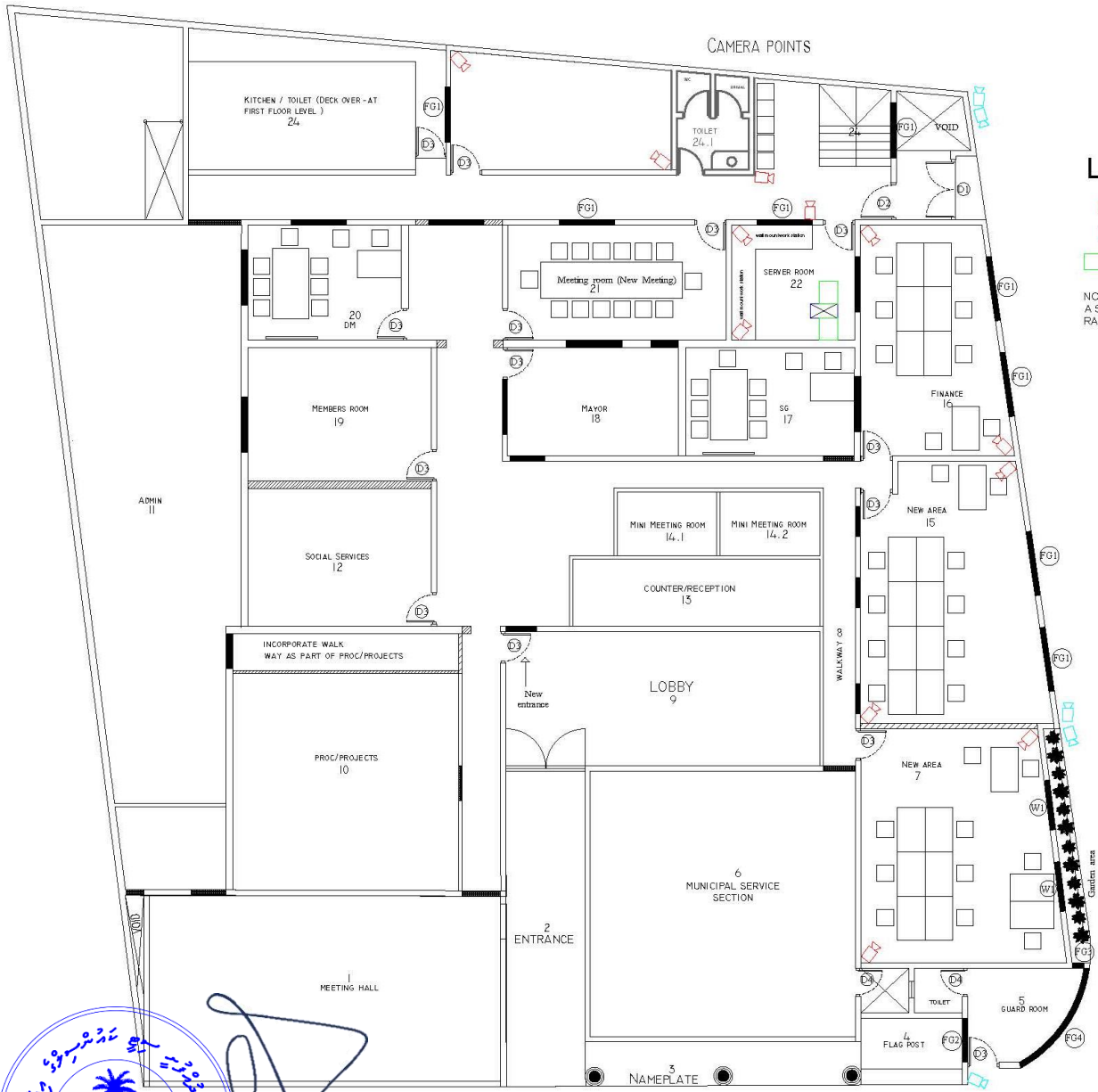
سۆمبۆر تۆرەنچە خور:





- LEGENDS:**
- NETWORK SWITCH
 - SOCKET
 - NETWORK POINT
 - TRUNK LINE
 - RJ45 (CEILING)

نادره جومرعه



- LEGENDS**
- DOME CAMERA
 - BULLET CAMERA
 - SERVER RACK
- NOTE: EACH CAMERA MUST HAVE A SEPARATE CABLE FROM SERVER RACK



(Handwritten signature)

11.1 ޤަނޫނުގެ ބައި 1

11.1.1 ޤަނޫނުގެ ބައި 1 ގައި ބަޔާންކޮށްފައިވާ ގޮތަށް ޤަނޫނުގެ ބައި 1 ގައި ބަޔާންކޮށްފައިވާ ގޮތަށް.

11.1.2 ޤަނޫނުގެ ބައި 1 ގައި ބަޔާންކޮށްފައިވާ ގޮތަށް ޤަނޫނުގެ ބައި 1 ގައި ބަޔާންކޮށްފައިވާ ގޮތަށް ޤަނޫނުގެ ބައި 1 ގައި ބަޔާންކޮށްފައިވާ ގޮތަށް 120mmsq ގެ ޤަނޫނުގެ ބައި 1 ގައި ބަޔާންކޮށްފައިވާ ގޮތަށް.

11.1.3 ޤަނޫނުގެ ބައި 3

11.1.3.1 ޤަނޫނުގެ ބައި 3 ގައި ބަޔާންކޮށްފައިވާ ގޮތަށް ޤަނޫނުގެ ބައި 3 ގައި ބަޔާންކޮށްފައިވާ ގޮތަށް ޤަނޫނުގެ ބައި 3 ގައި ބަޔާންކޮށްފައިވާ ގޮތަށް.

11.1.3.2 ޤަނޫނުގެ ބައި 3 ގައި ބަޔާންކޮށްފައިވާ ގޮތަށް ޤަނޫނުގެ ބައި 3 ގައި ބަޔާންކޮށްފައިވާ ގޮތަށް ޤަނޫނުގެ ބައި 3 ގައި ބަޔާންކޮށްފައިވާ ގޮތަށް.

11.1.3.3 ޤަނޫނުގެ ބައި 3 ގައި ބަޔާންކޮށްފައިވާ ގޮތަށް ޤަނޫނުގެ ބައި 3 ގައި ބަޔާންކޮށްފައިވާ ގޮތަށް ޤަނޫނުގެ ބައި 3 ގައި ބަޔާންކޮށްފައިވާ ގޮތަށް.

11.1.3.4 ޤަނޫނުގެ ބައި 3 ގައި ބަޔާންކޮށްފައިވާ ގޮތަށް ޤަނޫނުގެ ބައި 3 ގައި ބަޔާންކޮށްފައިވާ ގޮތަށް ޤަނޫނުގެ ބައި 3 ގައި ބަޔާންކޮށްފައިވާ ގޮތަށް.

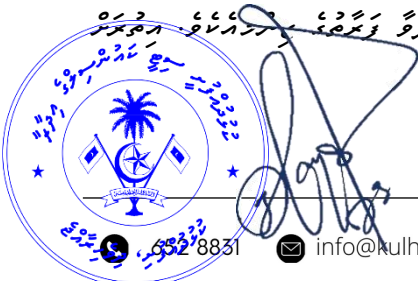
11.1.3.5 ޤަނޫނުގެ ބައި 3 ގައި ބަޔާންކޮށްފައިވާ ގޮތަށް ޤަނޫނުގެ ބައި 3 ގައި ބަޔާންކޮށްފައިވާ ގޮތަށް ޤަނޫނުގެ ބައި 3 ގައި ބަޔާންކޮށްފައިވާ ގޮތަށް.

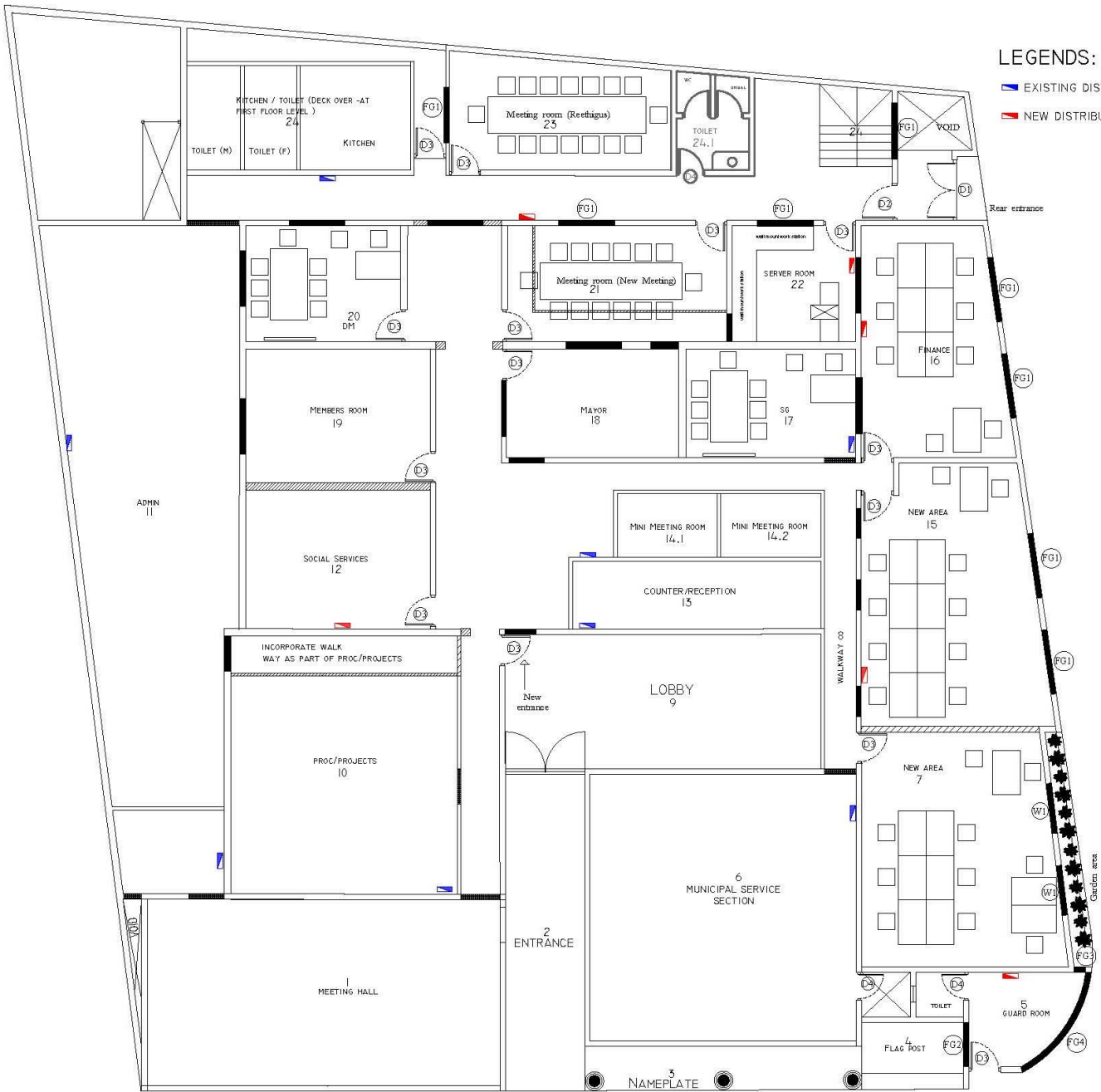
11.1.3.6 ޤަނޫނުގެ ބައި 3 ގައި ބަޔާންކޮށްފައިވާ ގޮތަށް ޤަނޫނުގެ ބައި 3 ގައި ބަޔާންކޮށްފައިވާ ގޮތަށް ޤަނޫނުގެ ބައި 3 ގައި ބަޔާންކޮށްފައިވާ ގޮތަށް.

11.1.4 ޤަނޫނުގެ ބައި 4

Details	Qty
Main MCCB 250A	1
MCB 63A 3 phase	14
Over current relay	1
ELR	1
Smart kilowatt meter	1
Multi-function amp and watt meter	
Indicating Lights	

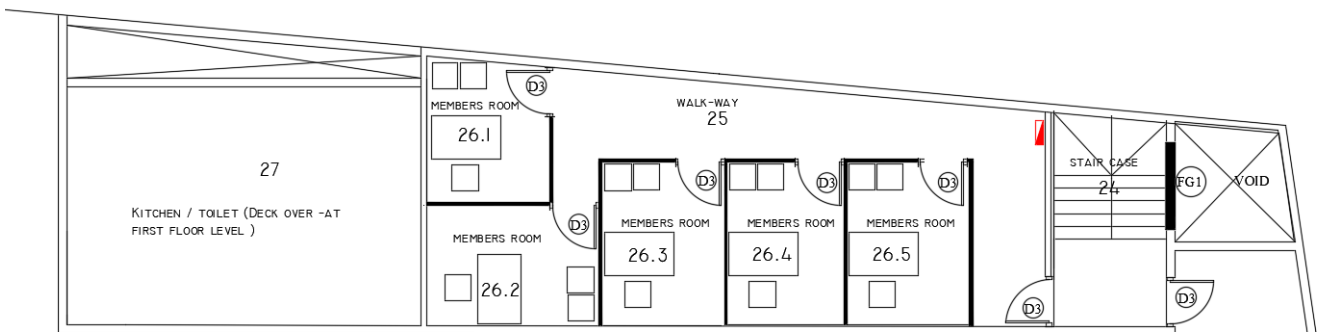
11.1.5 ޤަނޫނުގެ ބައި 5 ގައި ބަޔާންކޮށްފައިވާ ގޮތަށް ޤަނޫނުގެ ބައި 5 ގައި ބަޔާންކޮށްފައިވާ ގޮތަށް ޤަނޫނުގެ ބައި 5 ގައި ބަޔާންކޮށްފައިވާ ގޮތަށް.





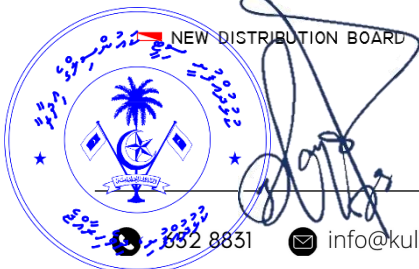
LEGENDS:

- EXISTING DISTRIBUTION BOARD
- NEW DISTRIBUTION BOARD



LEGENDS:

- NEW DISTRIBUTION BOARD

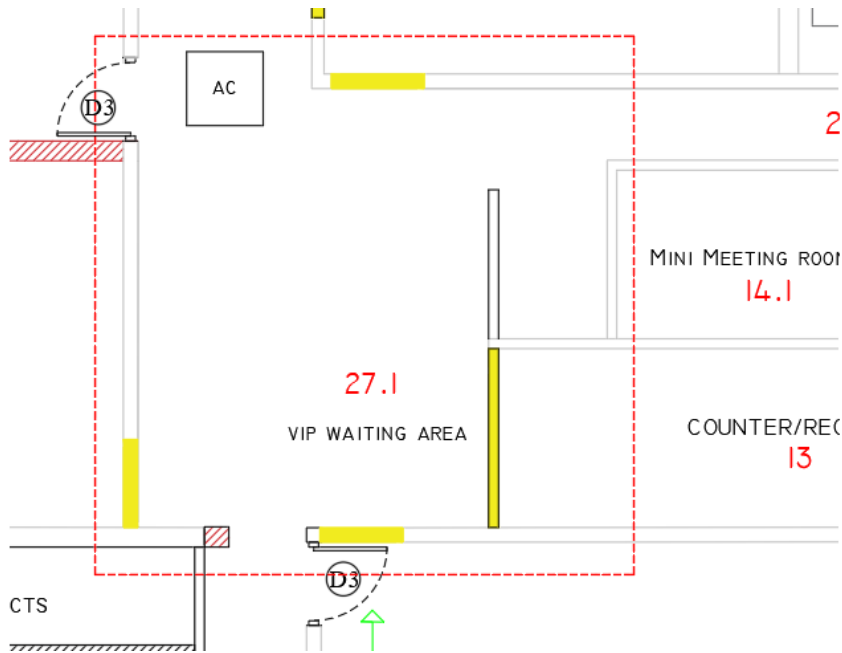


20 5 57 : ٢٠٢٣

- 14.13.1 14.13.1 3-5 0.20-0.15 (Abrasion resistant) 0.20-0.15
- 14.13.2 14.13.2 3
- 14.13.3 14.13.3
- 14.13.4 14.13.4

15.1 (VIP Waiting Area)

- 15.1 15.1
- 15.2 15.2 12MM



15.3

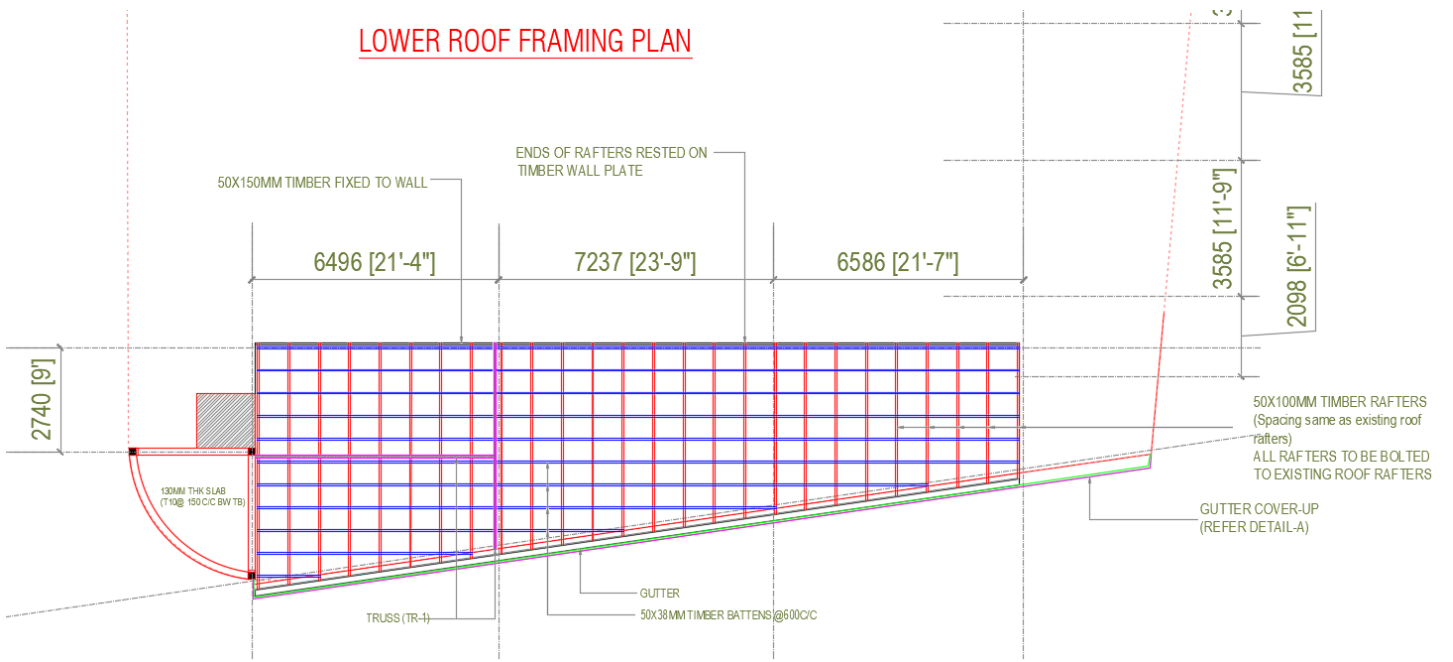
- 15.3.1 15.3.1 3-5 0.20-0.15 (Abrasion resistant) 0.20-0.15
- 15.3.2 15.3.2 3
- 15.3.3 15.3.3
- 15.4 15.4

15.5

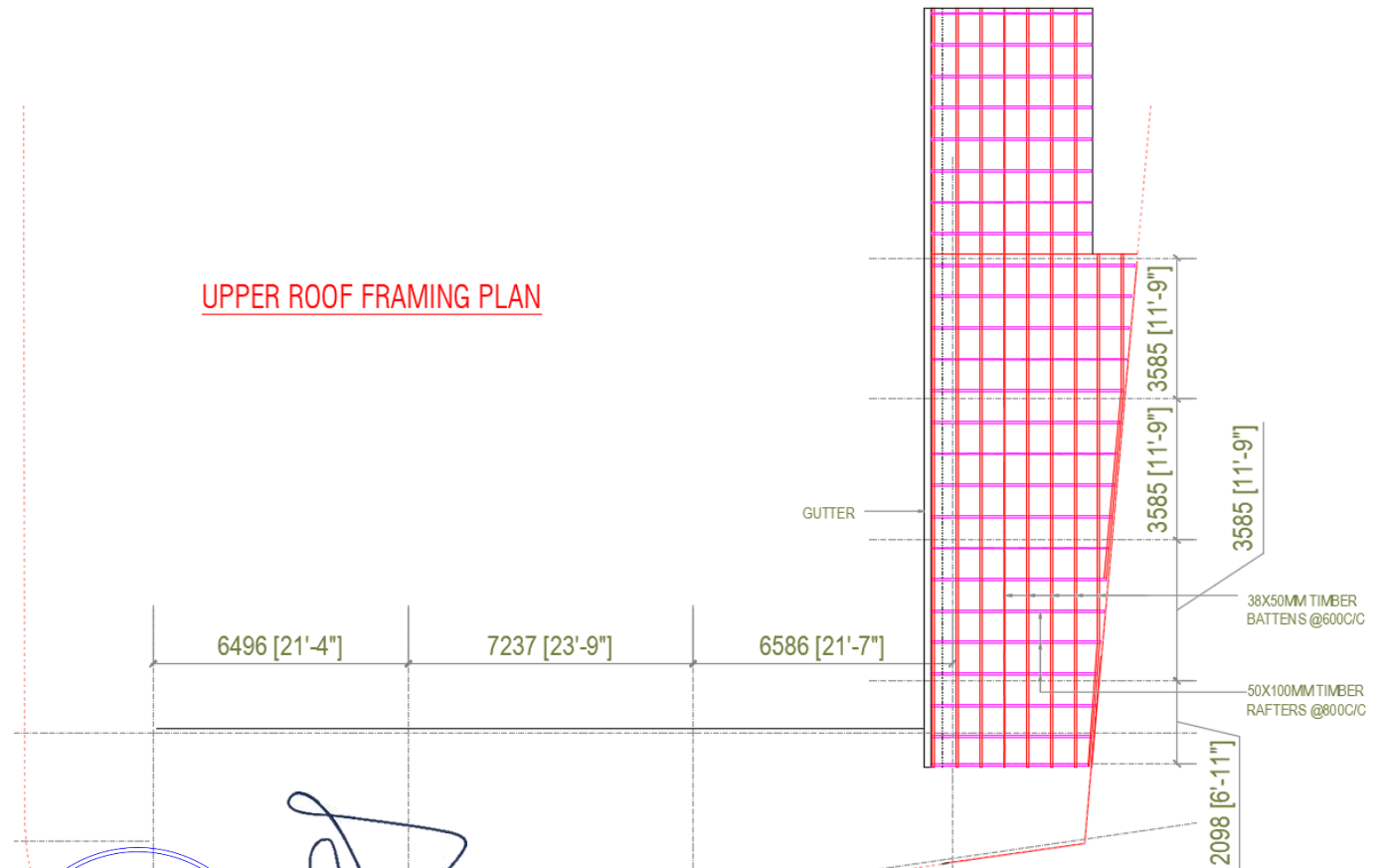


(Handwritten signature)

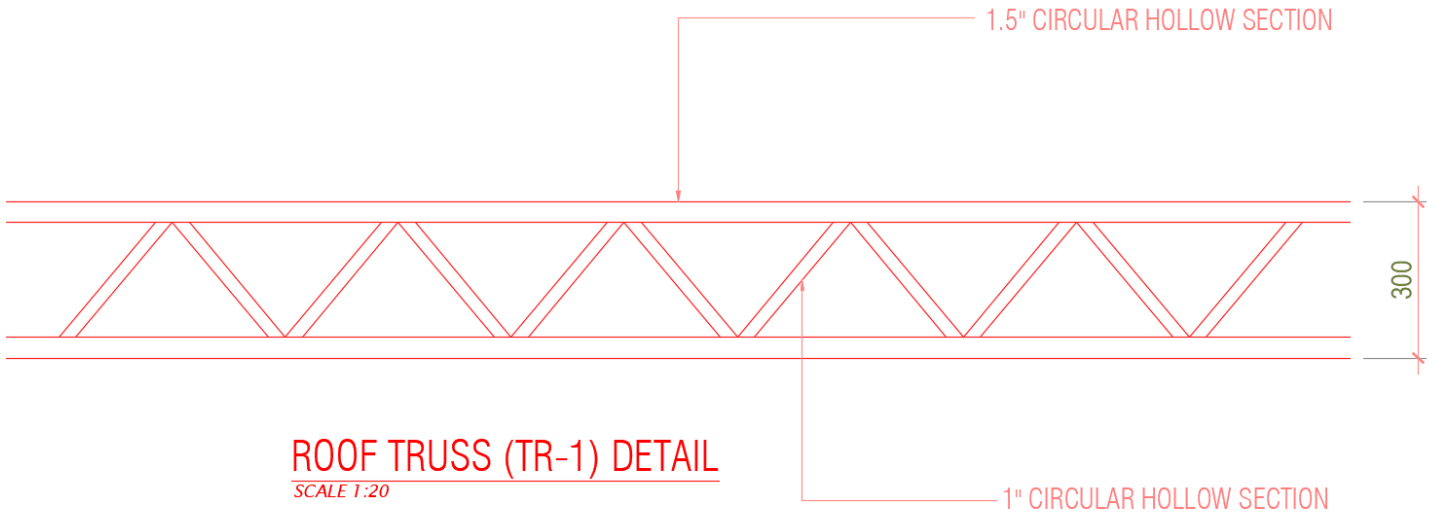
LOWER ROOF FRAMING PLAN



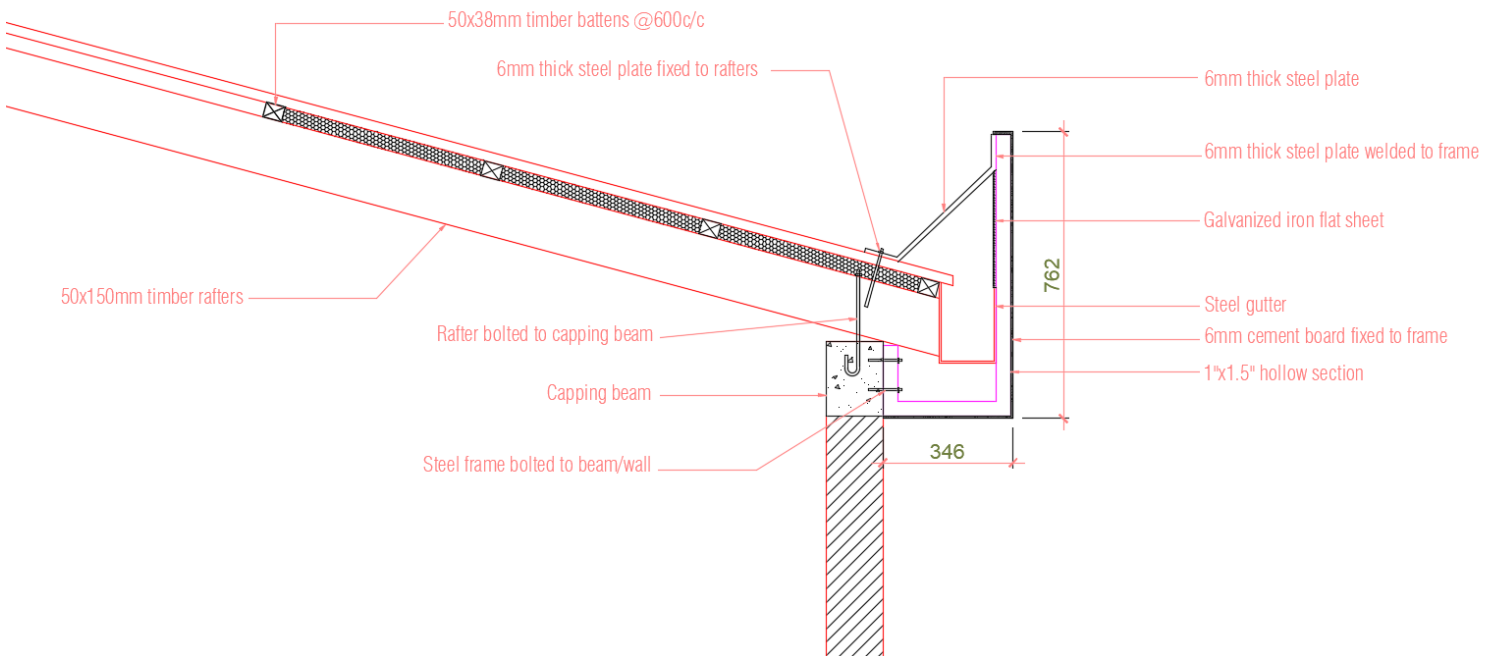
UPPER ROOF FRAMING PLAN



Handwritten signature



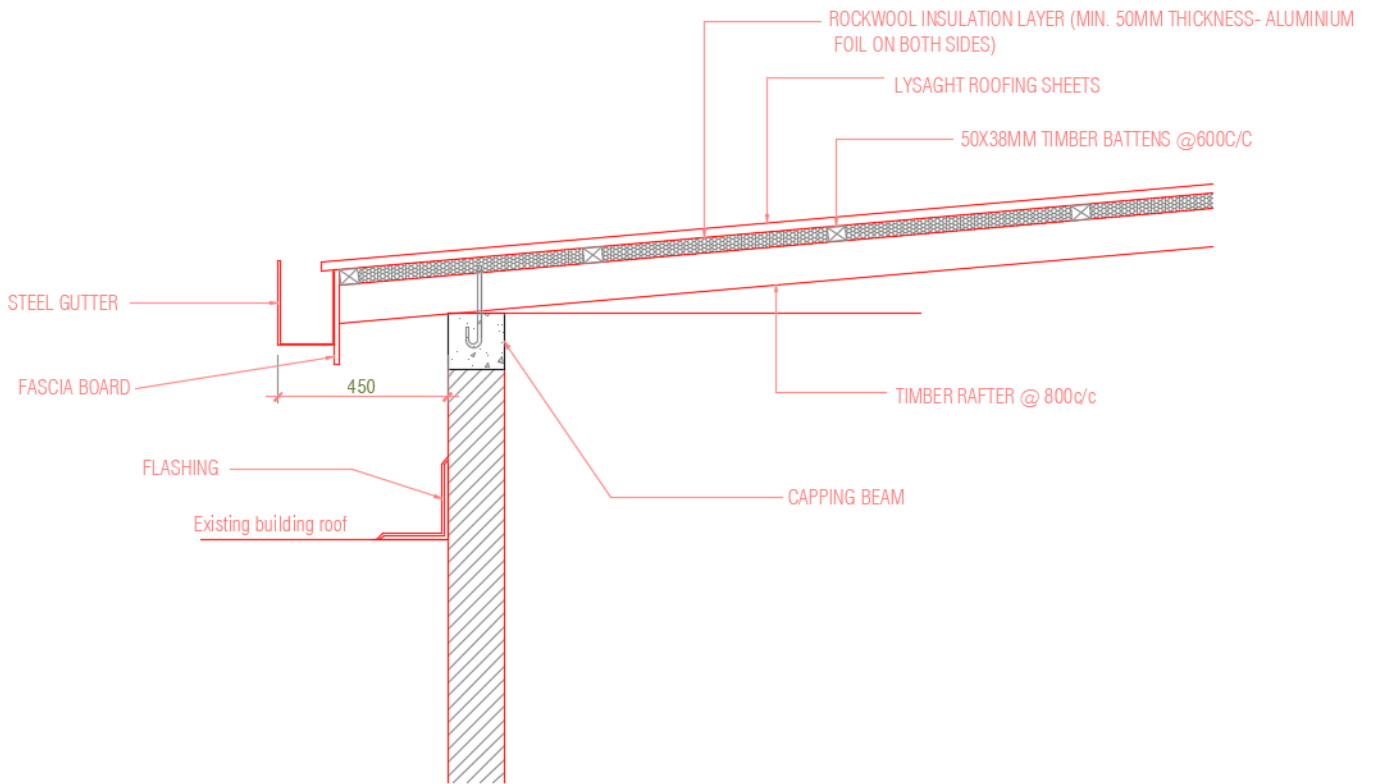
ROOF TRUSS (TR-1) DETAIL
SCALE 1:20



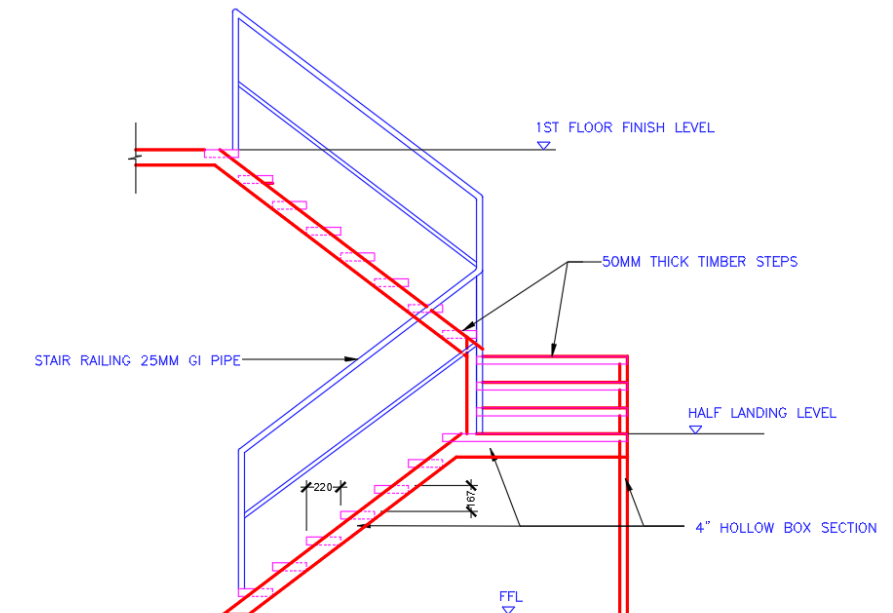
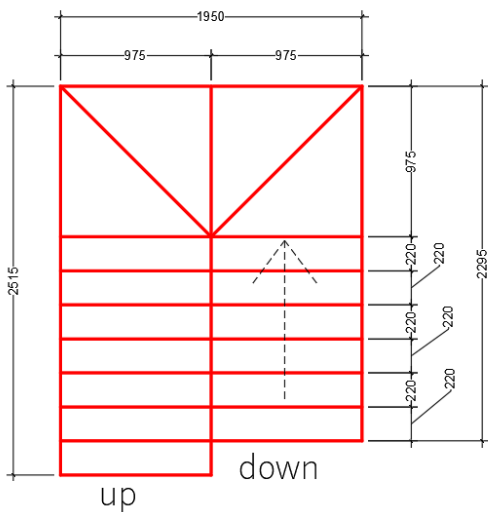
LOWER ROOF DETAIL
SCALE 1:20



[Handwritten signature]



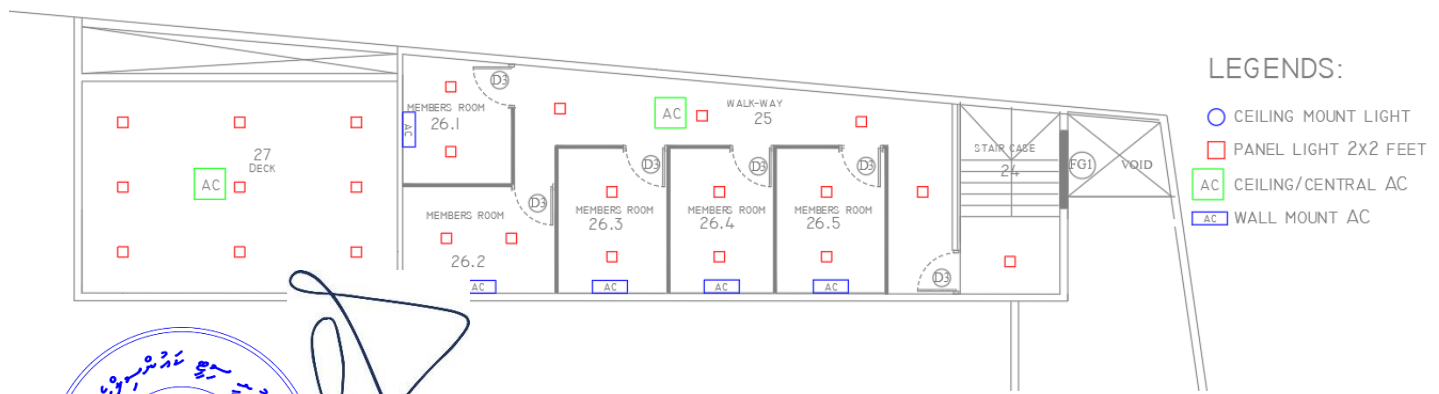
UPPER ROOF DETAIL
SCALE 1:20





STAIR DETAIL

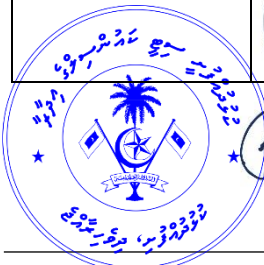




Handwritten signature



[Handwritten signature]

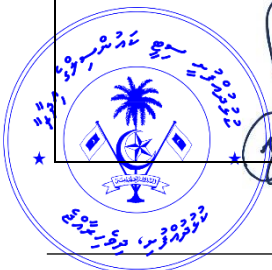
<p><u>Office Chairs</u></p>	<ul style="list-style-type: none"> ▪ Colour: Grey/Black ▪ Material: <ul style="list-style-type: none"> ➤ Seat+back: fabric ➤ Base: nylon ▪ Medium back chair ▪ 360-degree swivel. ▪ Nylon castors ▪ Height adjustable ▪ Tilt lock mechanism <p>Overall Height: 107.5 – 99.5cm (42.3” – 39.2”)</p> <p>Seat Width: 49cm (19.3”)</p> <p>Seat Depth: 47cm (18.5”)</p> <p>Seat Height: 53.5 – 45.5cm (21.1” – 17.9”)</p> <p>Back-rest Width: 44cm (17.3”)</p> <p>Back-rest Height: 56cm (22”)</p>	<p>40</p>	
<p><u>Foldable chair</u></p>	<p>Crafted from highly durable magnesium and fabric for a comfortable seat, and magnesium alloy legs for the toughest of lives.</p> <p>Quickly foldable and side stacked.</p> <p><u>Features</u></p> <ul style="list-style-type: none"> ▪ Light-weight and Durable Die cast Aluminium Chair Frame ▪ in Stackable design for neater environment 	<p>25</p>	





	<ul style="list-style-type: none"> ▪ Moulded Foam Seat with Customizable Fabric Colors ▪ Colour: to be finalized by council ▪ Hard-wearing Nylon Castor Wheels allows Ease of Manoeuvring while Protecting Flooring <p><u>Dimensions in mm</u></p> <ul style="list-style-type: none"> ▪ Overall width: 595mm ▪ Overall Height: 870mm ▪ Floor to seat height: 465mm ▪ Castor Wheel: 3.5 inch <p><u>Material</u></p> <ul style="list-style-type: none"> ▪ Die Cast Aluminium Chair Frame ▪ Fabric Foam Cushion Seat ▪ Nylon Wheel Castor 		
<p>Visitors Chair</p>	<ul style="list-style-type: none"> ▪ Non-Adjustable height ▪ No Castors ▪ Color: black/Silver ▪ Material: PU Leather, High Density Foam, ▪ frame :Aluminium ▪ Overall: <ul style="list-style-type: none"> ➤ W: 59cm ➤ D: 52cm ➤ H: 103cm ▪ Seat: <ul style="list-style-type: none"> ➤ W: 50cm ➤ D: 53cm ➤ H: 48cm 	<p>25</p>	




<p>High Back Executive Chair</p>	<ul style="list-style-type: none"> ▪ Multi position Tilt-lock ▪ Height Adjustable ▪ 360° Swivel. ▪ Heavy Duty Nylon Castors ▪ Color: Black/Silver ▪ Material: PU Leather, High Density Foam Cushions, with Cushioned armpads. ▪ Frame: Chromed steel ▪ Base Capacity: Minimum 200kgs <p>Overall Height: 112 – 120cm (44.1” – 47.2”)</p> <p>Seat Width: 52cm (20.5”)</p> <p>Seat Depth: 51cm (20.0”)</p> <p>Seat Height: 48 – 58cm (18.9” – 22.8”)</p> <p>Back-rest Width: 51cm (20”)</p> <p>Back-rest Height: 73cm (28.7”)</p>	<p>20</p>	
<p>Modular Corner Sofa Set (Left Handed)</p>	<ul style="list-style-type: none"> ▪ 7 seater modular corner set with ottamen. ▪ Connector clips to keep the modules together. ▪ Color : <ul style="list-style-type: none"> ➢ Dark Grey ▪ Possible different layouts. ▪ Material: <ul style="list-style-type: none"> ➢ Polyester ➢ Synthetic material ➢ powder coated aluminium ▪ Modules must have: <ul style="list-style-type: none"> ➢ 3 Corner piece ➢ 5 Arm piece ➢ 1 Ottaman 	<p>1 set</p>	



	<ul style="list-style-type: none"> ▪ Corner Modules dimensions: <ul style="list-style-type: none"> ➤ 90x90x65cm ▪ Arm Chair Modules dimensions: <ul style="list-style-type: none"> ➤ 70x90x65cm ▪ Ottoman dimension: <ul style="list-style-type: none"> ➤ 90x90x35cm ▪ Seat Height: <ul style="list-style-type: none"> ➤ 37cm ▪ Design Weight capacity per person: 150kg ▪ 		
<p style="text-align: center;">Modular Conference/ meeting table</p>	<ul style="list-style-type: none"> ▪ 16 seater modular conference table. <ul style="list-style-type: none"> ➤ 2 semi circular corner tables ➤ 6 middle rectangular tables ▪ Color : Dark Grey ▪ Material: Laminated wood. ▪ Table top thickness 25mm. ▪ Side panels thickness: 18-25mm. ▪ PVC edging +2mm. ▪ With nylon castors ▪ Semi circular table <ul style="list-style-type: none"> ➤ Length: 1400-1600mm ➤ Width: 700-800mm ➤ Height: 750mm ▪ Middle rectangular table: <ul style="list-style-type: none"> ➤ Length:1600-1800mm ➤ Width: 600-800mm ➤ Height:750mm 	<p style="text-align: center;">1 set</p>	

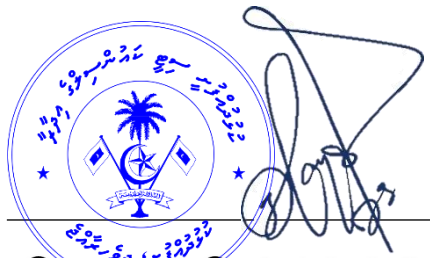
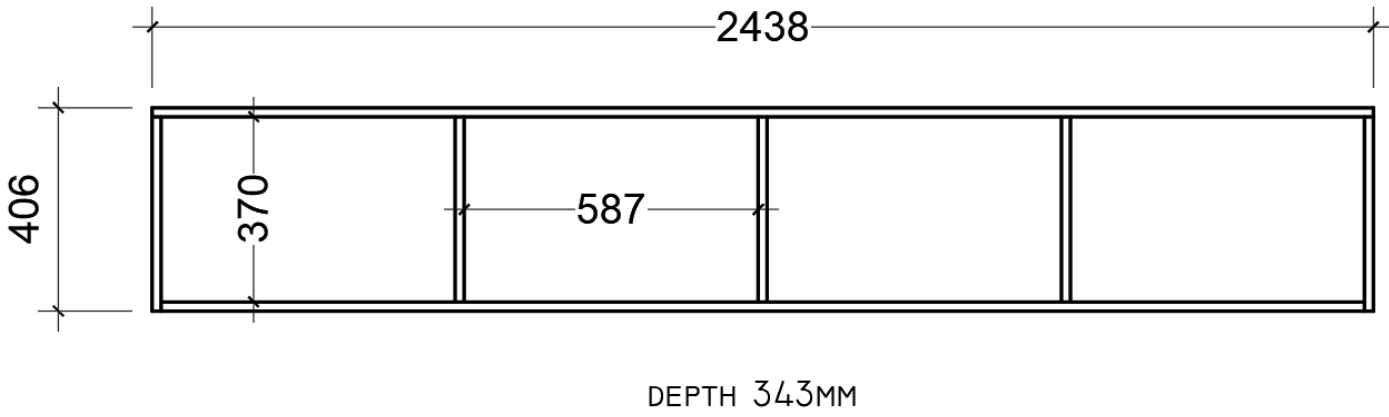


<p>Foldable Meeting/conference Table</p>	<ul style="list-style-type: none"> ▪ Base/Bracket: 3.0mm-thick magnesium ▪ Column: 2mm-thick aluminum ▪ Beam: 50 X 25 X 1.5mm cold-rolled steel. ▪ Metal colors: white ▪ Glide: PP. Optional lockable 2.5inch PU castors ▪ Wood top foldable. Stackable for space saving ▪ With Modesty panel <ul style="list-style-type: none"> ➢ Overall length: 1200-1800mm ➢ Overall width: 600-800mm ➢ Overall height: 750mm 	<p>16</p>	
--	--	-----------	---



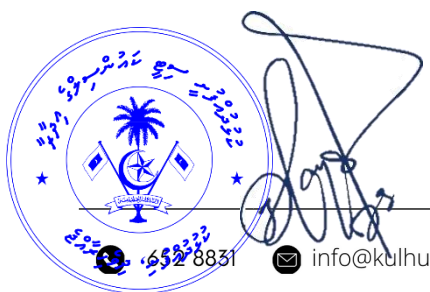
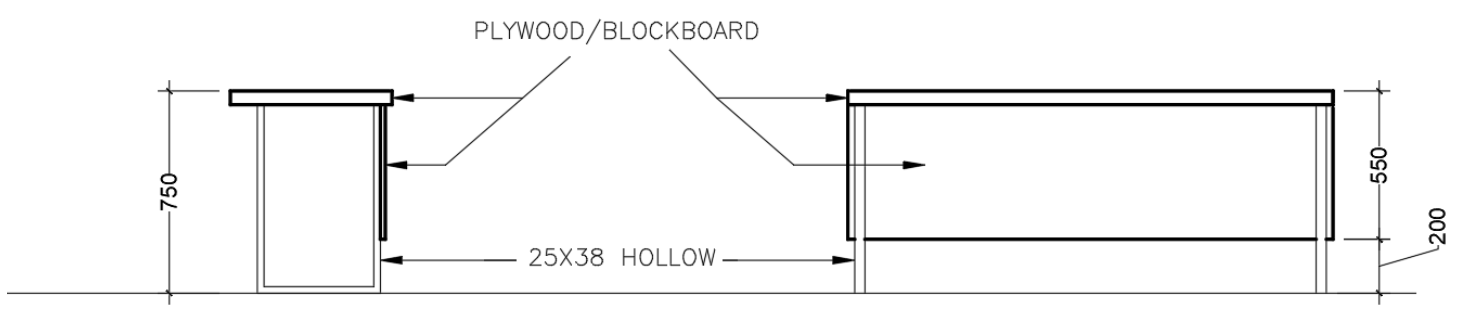
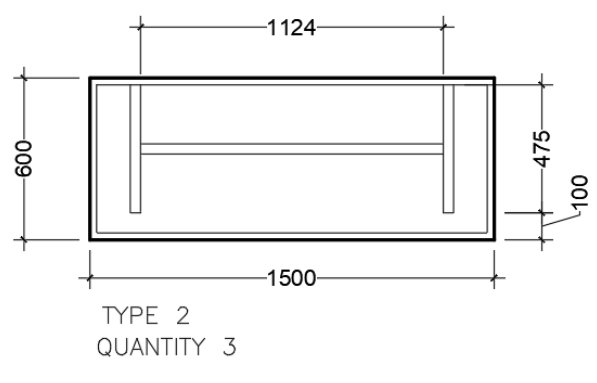
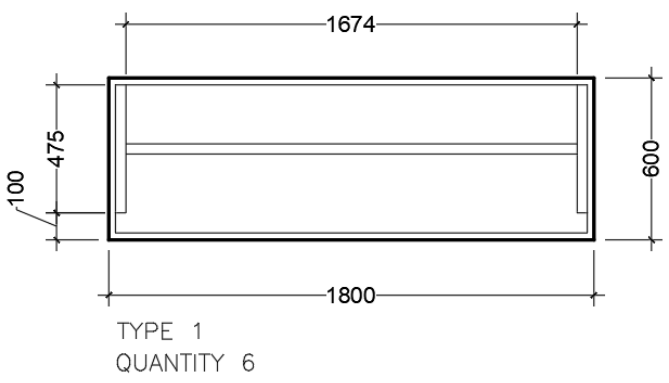
29. قواعد و ضوابط

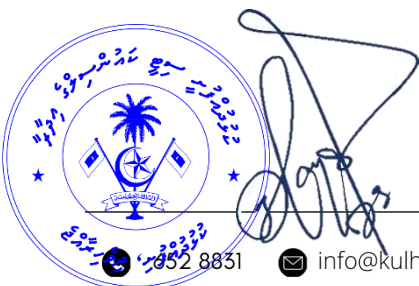
- 29.1.1 قواعد و ضوابط 12 قاعداً و ضوابطاً راجعاً إلى تصميم و تنفيذ.
- 29.1.2 قواعد و ضوابط 18 قاعداً و ضوابطاً راجعاً إلى تصميم و تنفيذ.
- 29.1.3 قواعد و ضوابط 18 قاعداً و ضوابطاً راجعاً إلى تصميم و تنفيذ.
- 29.1.4 قواعد و ضوابط 18 قاعداً و ضوابطاً راجعاً إلى تصميم و تنفيذ.
- 29.1.5 قواعد و ضوابط 18 قاعداً و ضوابطاً راجعاً إلى تصميم و تنفيذ.
- 29.1.6 قواعد و ضوابط 18 قاعداً و ضوابطاً راجعاً إلى تصميم و تنفيذ.
- 29.1.7 قواعد و ضوابط 18 قاعداً و ضوابطاً راجعاً إلى تصميم و تنفيذ.
- 29.1.8 قواعد و ضوابط 343 قاعداً و ضوابطاً راجعاً إلى تصميم و تنفيذ.
- 29.1.9 قواعد و ضوابط 2 قاعداً و ضوابطاً راجعاً إلى تصميم و تنفيذ. راجعاً إلى تصميم و تنفيذ.
- (كافة و ضوابط و ضوابط) راجعاً إلى تصميم و تنفيذ.
- 29.1.10 قواعد و ضوابط 18 قاعداً و ضوابطاً راجعاً إلى تصميم و تنفيذ.
- قواعد و ضوابط 18 قاعداً و ضوابطاً راجعاً إلى تصميم و تنفيذ. راجعاً إلى تصميم و تنفيذ.
- قواعد و ضوابط 18 قاعداً و ضوابطاً راجعاً إلى تصميم و تنفيذ.
- 29.1.11 قواعد و ضوابط 18 قاعداً و ضوابطاً راجعاً إلى تصميم و تنفيذ.
- 29.1.12 قواعد و ضوابط 18 قاعداً و ضوابطاً راجعاً إلى تصميم و تنفيذ.



30. උපරිපත් කළු.

- 30-1 උපරිපත් කළු රත්තරංග පාරේ පිහිටි ප්ලාස්ටික් උපරිපත් කළු.
- 30-2 උපරිපත් කළු 2 පිහිටි ප්ලාස්ටික් රත්තරංග පාරේ. (උපරිපත් කළු 6 ක් අතරින් 2 ක්)
- 30-3 උපරිපත් කළු ප්ලාස්ටික් රත්තරංග පාරේ පිහිටි ප්ලාස්ටික් රත්තරංග පාරේ. (උපරිපත් කළු 6 ක් අතරින් 2 ක්)
- 30-4 උපරිපත් කළු 38x25 උපරිපත් කළු ප්ලාස්ටික් රත්තරංග පාරේ.
- 30-5 උපරිපත් කළු ප්ලාස්ටික් රත්තරංග පාරේ පිහිටි ප්ලාස්ටික් රත්තරංග පාරේ. (උපරිපත් කළු 6 ක් අතරින් 2 ක්)
- 30-6 උපරිපත් කළු ප්ලාස්ටික් රත්තරංග පාරේ පිහිටි ප්ලාස්ටික් රත්තරංග පාරේ. (උපරිපත් කළු 6 ක් අතරින් 2 ක්)
- 30-7 උපරිපත් කළු ප්ලාස්ටික් රත්තරංග පාරේ පිහිටි ප්ලාස්ටික් රත්තරංග පාරේ. (උපරිපත් කළු 6 ක් අතරින් 2 ක්)
- 30-8 උපරිපත් කළු 18 උපරිපත් කළු ප්ලාස්ටික් රත්තරංග පාරේ.
- 30-9 උපරිපත් කළු 38 උපරිපත් කළු ප්ලාස්ටික් රත්තරංග පාරේ.
- 30-10 උපරිපත් කළු ප්ලාස්ටික් රත්තරංග පාරේ පිහිටි ප්ලාස්ටික් රත්තරංග පාරේ.
- 30-11 උපරිපත් කළු ප්ලාස්ටික් රත්තරංග පාරේ පිහිටි ප්ලාස්ටික් රත්තරංග පාරේ.
- 30-12 උපරිපත් කළු ප්ලාස්ටික් රත්තරංග පාරේ පිහිටි ප්ලාස්ටික් රත්තරංග පාරේ.





33.3 ڈسٹرکٹ ٹرسٹی ممبر:

33.3.1 سپورٹرز ڈاٹا ڈسٹرکٹ ٹرسٹی ممبر ڈیجیٹل ایئر ٹاؤ

33.3.2 ڈیجیٹل ایئر ٹاؤ ڈسٹرکٹ ٹرسٹی ممبر ڈیجیٹل ایئر ٹاؤ

33.3.3 سٹی، سٹی ڈسٹرکٹ ٹرسٹی ممبر ڈیجیٹل ایئر ٹاؤ

33.3.4 ڈیجیٹل ایئر ٹاؤ

33.4 ڈسٹرکٹ ٹرسٹی ممبر 1 ایئر 8 ایئر ڈسٹرکٹ ٹرسٹی ممبر ڈسٹرکٹ ٹرسٹی ممبر 2 ڈیجیٹل ایئر ٹاؤ

ڈسٹرکٹ ٹرسٹی ممبر

FURNITURE

SOFA



TABLE AND CHAIR



MATERIALS

● Led lights

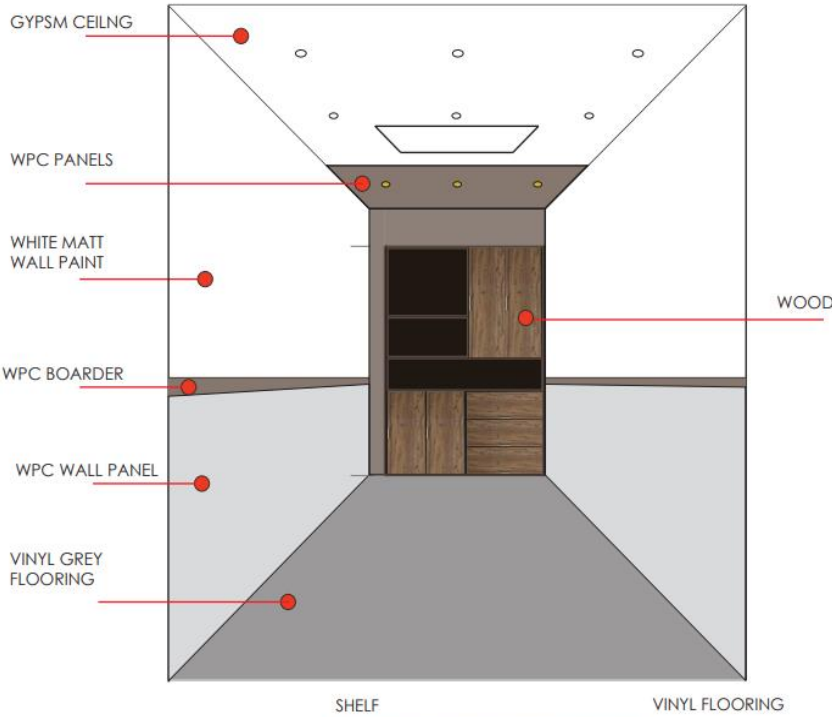


precedent

WPC PANELS



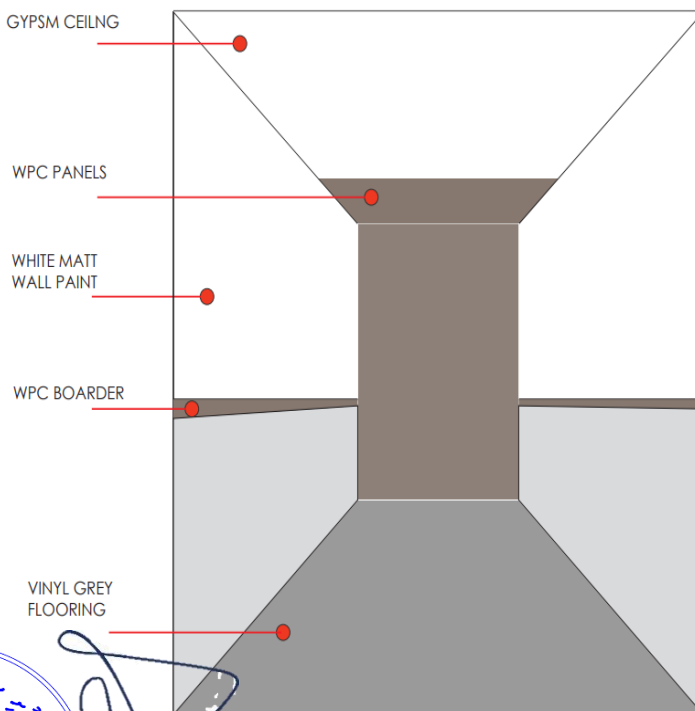
- Annaror 12 Inch LED Flush Mount Ceiling Light, 24W 2400lm, 3000K/4000K/5000K Selectable, Slim Dimmable Ceiling Lamp, Modern Round Flat Light



MAYOR ROOM
DEPUTY MAYOR ROOM
INTERIOR



ANNEX!



SHELF

